



**ARMORMAN 4x4**

**1300 3075 43**

[Sales@armorman4x4.com.au](mailto:Sales@armorman4x4.com.au)  
[www.armorman4x4.com.au](http://www.armorman4x4.com.au)

## BUSHMASTER- ARMOR BAR AMAROK (2011-ON)



**READ THE INSTALLATION INSTRUCTIONS CAREFULLY TO AVOID DAMAGING  
THE VEHICLE OR THE COMPETITIVE BAR!!!**

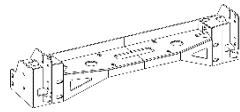


(PLEASE CHECK THAT THE ACCESSORIES ARE COMPLETE)

## COMPETITIVE BARS AND ACCESSORIES



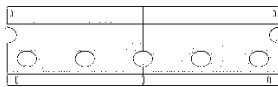
1X ATHLETIC BAR



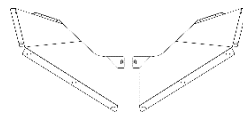
1X WINCH BRACKET



2X BRACKET



1X LOWER GUARD



2X BIPLANE GUARD



4X NUT PLATE

## LIGHTS AND OTHER ACCESSORIES



2X LIGHT BRACKETS  
LIGHTS



2X FOG LIGHTS



2X LDE

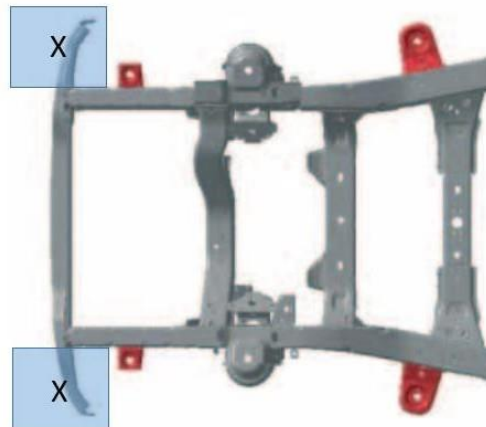


2X FOG LIGHTS CONNECTORS

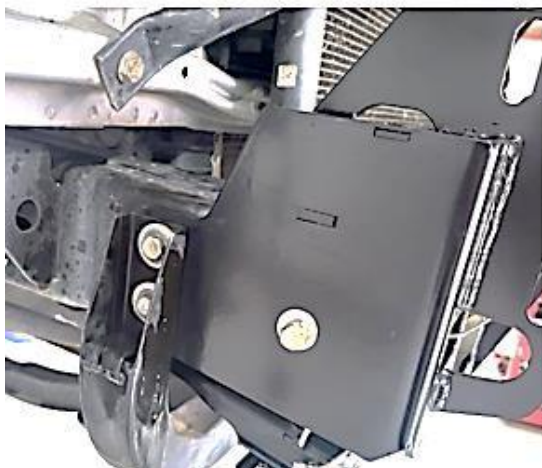


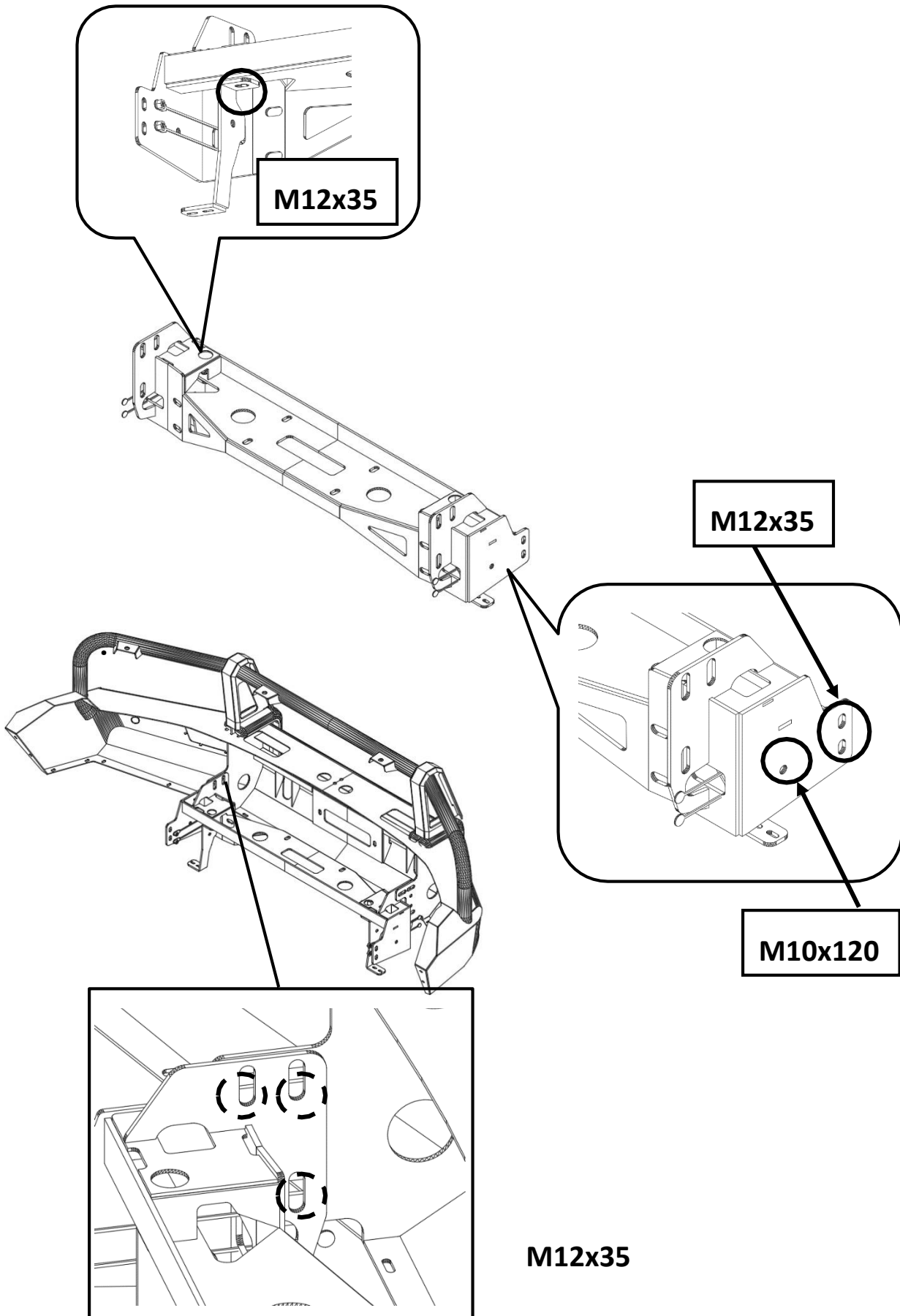
## PREPARE THE VEHICLE FOR INSTALLING THE BAR

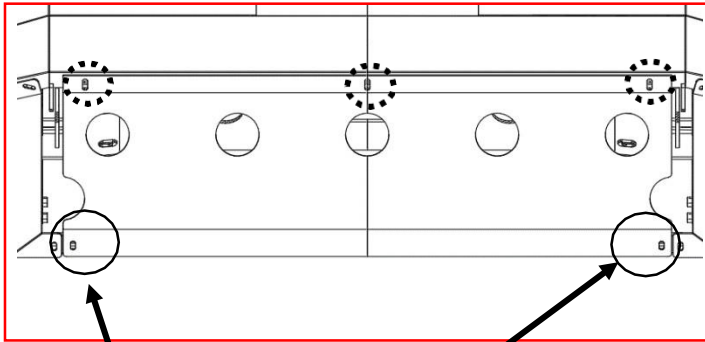
- 1- Take the plastic bumper off
- 2- Take the Head lights off and discounted the main Plug
- 3- Cut the side extension of the Crush bars as show bellow in blue boxes "X"



## FIT THE WINCH CRADLE AS SHOWN

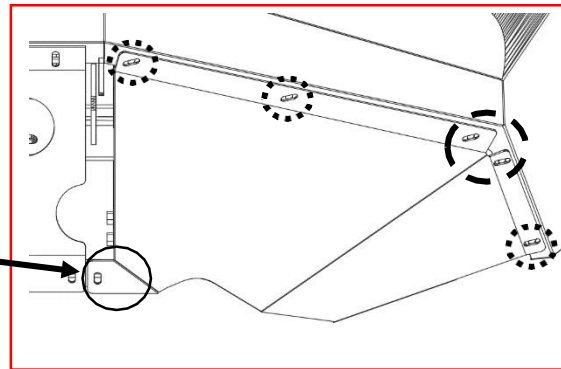






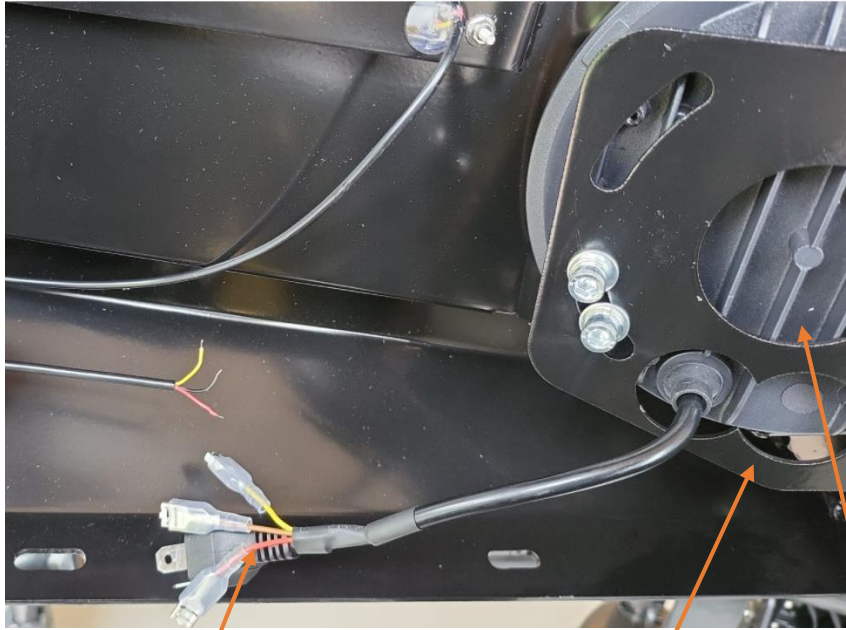
M10X30

M6x20





## 2. DO THE WIRING BASED ON BELLOW WIRING DIAGRAM

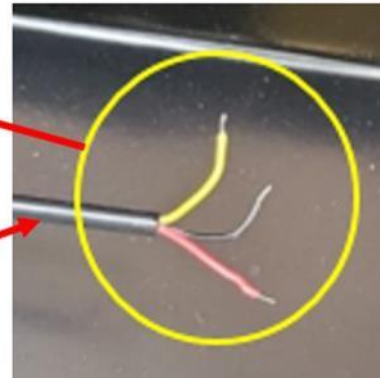


- Red: Park light
- Yellow: Indicator
- Brown: Helmet
- Black: Negative

Fog light Bracket

Fog light

DRL WIRE





### 3. FITTING FOG LIGHTS

Use the supplied left and right brackets for fitting the fog lights  
Make sure the Fog light to be centered and the ARMORMAN Writing faced up





## LIGHTS

