



ARMORMAN 4x4

1300 3075 43

Sales@armorman4x4.com.au
www.armorman4x4.com.au

t

BUSHMASTER BULL BAR TRITON MR (2019+)



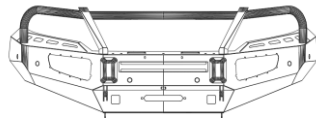
=

[Read the installation instructions carefully to avoid damaging the vehicle or the competitive bar !!!](#)

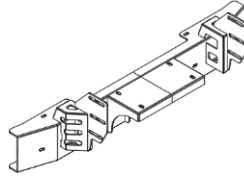


(PLEASE CHECK THAT THE ACCESSORIES ARE

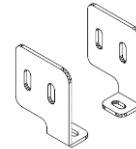
COMPETTIVE BARS AND ACCESSORIES



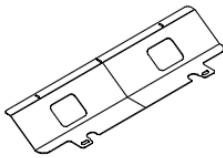
1X ATHLETIC BAR



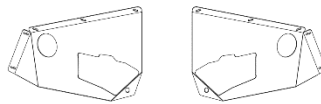
1X WINCH BRACKET



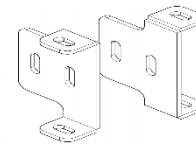
2X L BRACKET



1X LOWER GUARD



2X BIPLANE GUARD



1X C BRACKET

LIGHTS AND OTHER ACCESSORIES



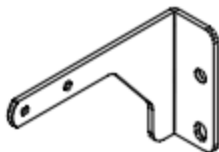
2X LAMP CASE



2X HEADLIGHTS



2X LED LIGHTS



1X WATER TANK STAND



1X WATER TANK



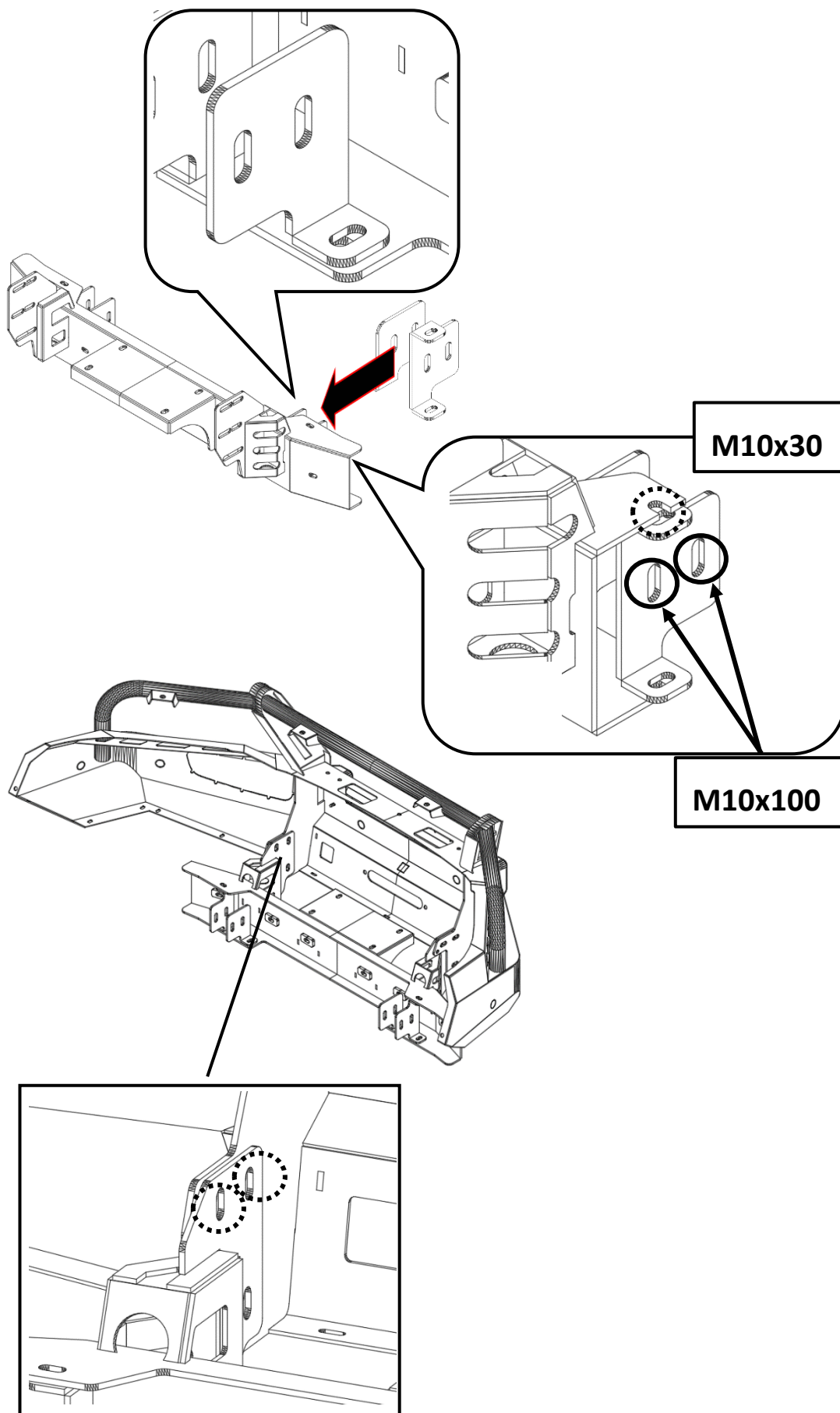
2X LIGHT STAND



ARMORMAN 4x4

1300 3075 43

Sales@armorman4x4.com.au
www.armorman4x4.com.au



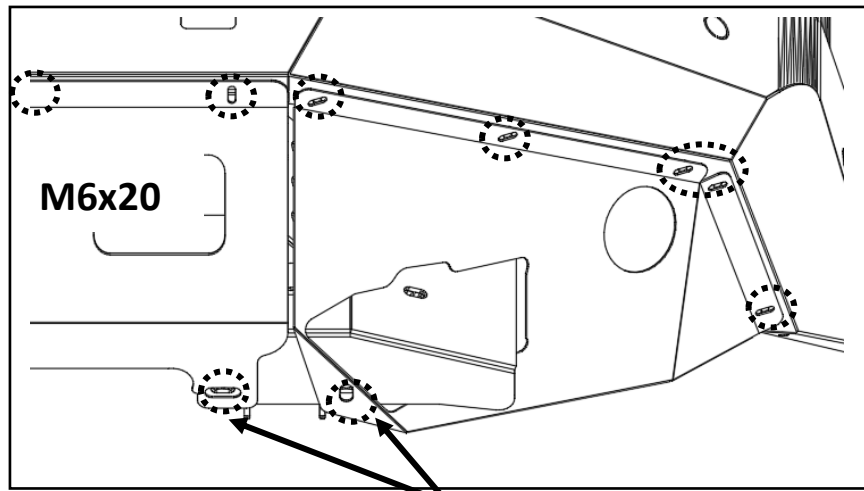
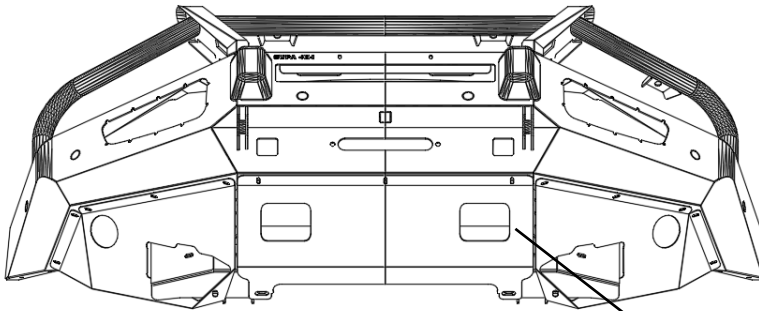


ARMORMAN 4x4

1300 3075 43

Sales@armorman4x4.com.au
www.armorman4x4.com.au

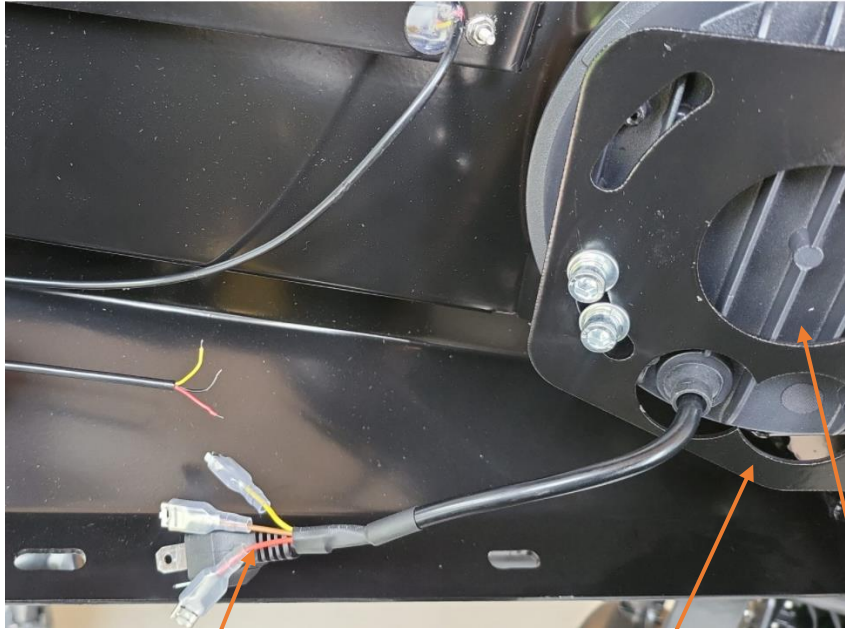
M12x35



M10X30



2. DO THE WIRING BASED ON BELLOW WIRING DIAGRAM

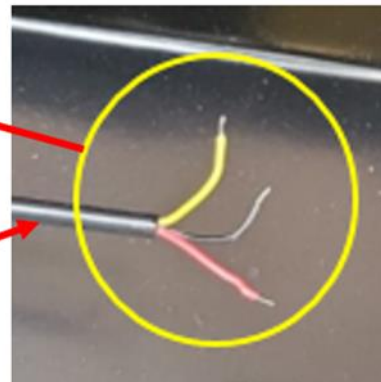


- Red: Park light
- Yellow: Indicator
- Brown Helmet
- Black: Negative

Fog light Bracket

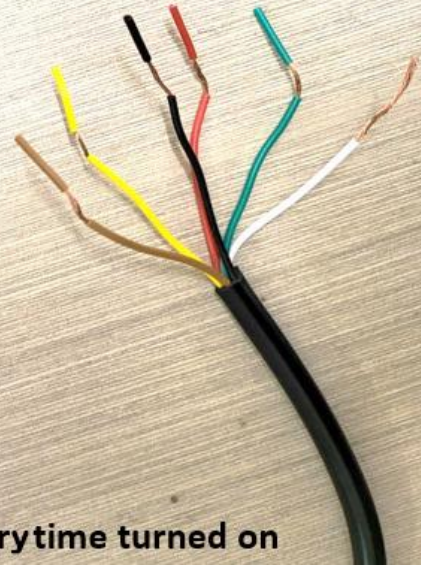
Fog light

DRL WIRE





1. White: Spot light
2. Green: Fog Light
3. Red: Park
4. Black : Ground
5. Yellow: Indicator
6. Brown: Helmet



Note: The helmet keeps changing colour everytime turned on

3. FITTING FOG LIGHTS

Use the supplied left and right brackets for fitting the fog lights
Make sure the Fog light to be centered and the
ARMORMAN
Writing faced up





ARMORMAN 4x4

1300 3075 43

Sales@armorman4x4.com.au
www.armorman4x4.com.au

LIGHTS

