

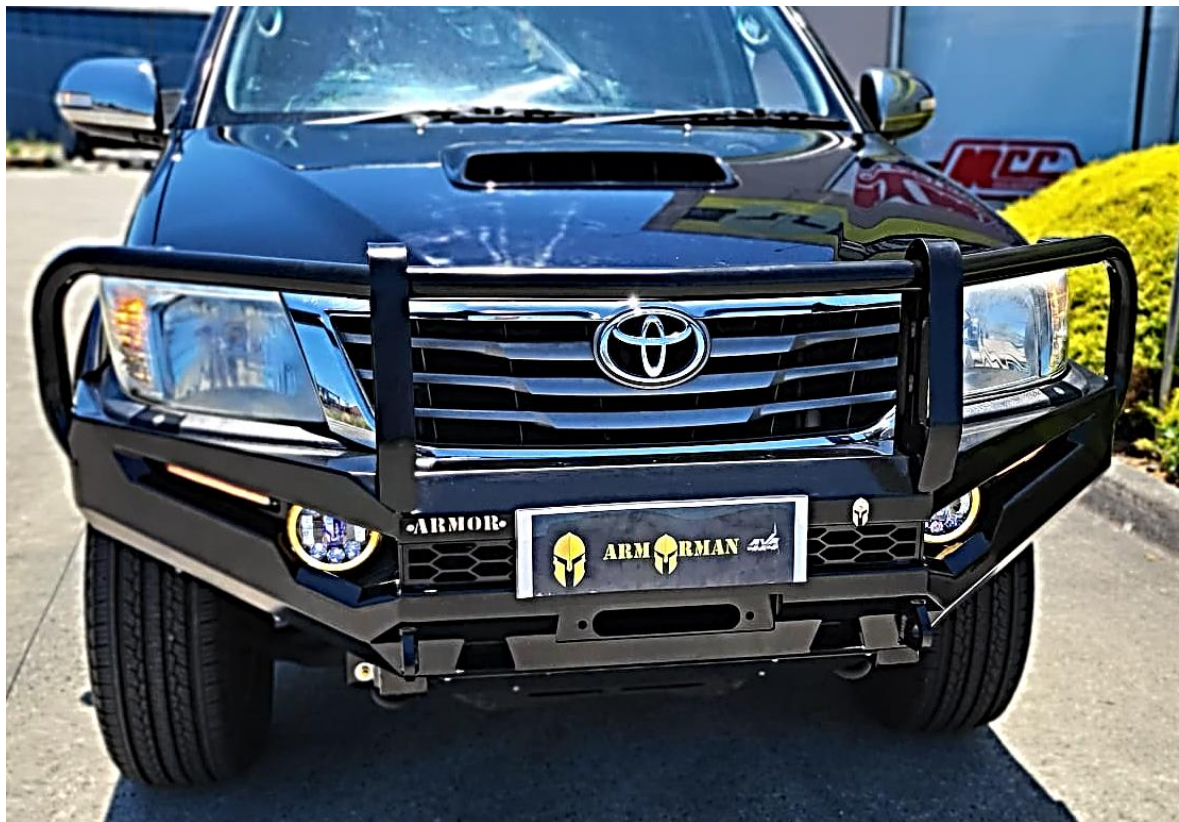


**ARMORMAN 4x4**

**1300 3075 43**

[Sales@armorman4x4.com.au](mailto:Sales@armorman4x4.com.au)  
[www.armorman4x4.com.au](http://www.armorman4x4.com.au)

## **BUSHMASTER ARMOR BAR-TOYOTA HILUX VIGO 2012-2014**

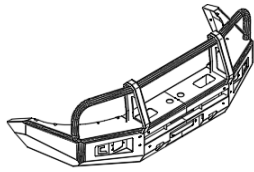


**READ THE INSTALLATION INSTRUCTIONS CAREFULLY TO AVOID  
DAMAGING THE VEHICLE OR THE COMPETITIVE BAR!!!**

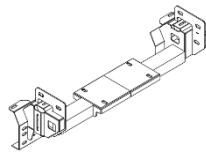


**(PLEASE CHECK THE ACCESSORIES ARE COMPLETE)**

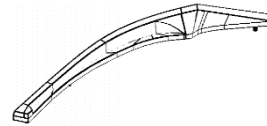
## BULL BARS AND ACCESSORIES



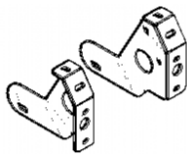
**1X BULL BAR**



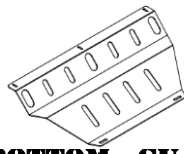
**1X WINCH BRACKET**



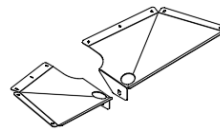
**2X BAR EYEBROW**



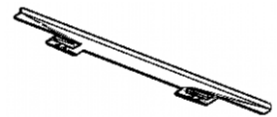
**2X SMALL BRACKET**



**1X BOTTOM GUARD  
PLATE**



**2X BOTH SIDE GUARD PLATE**



**1X ACCESSORY  
PLATE**

## LIGHTS AND OTHER ACCESSORIES



**2X HEADLIGHT**



**X2 INDICATORS**



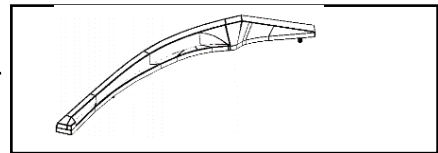
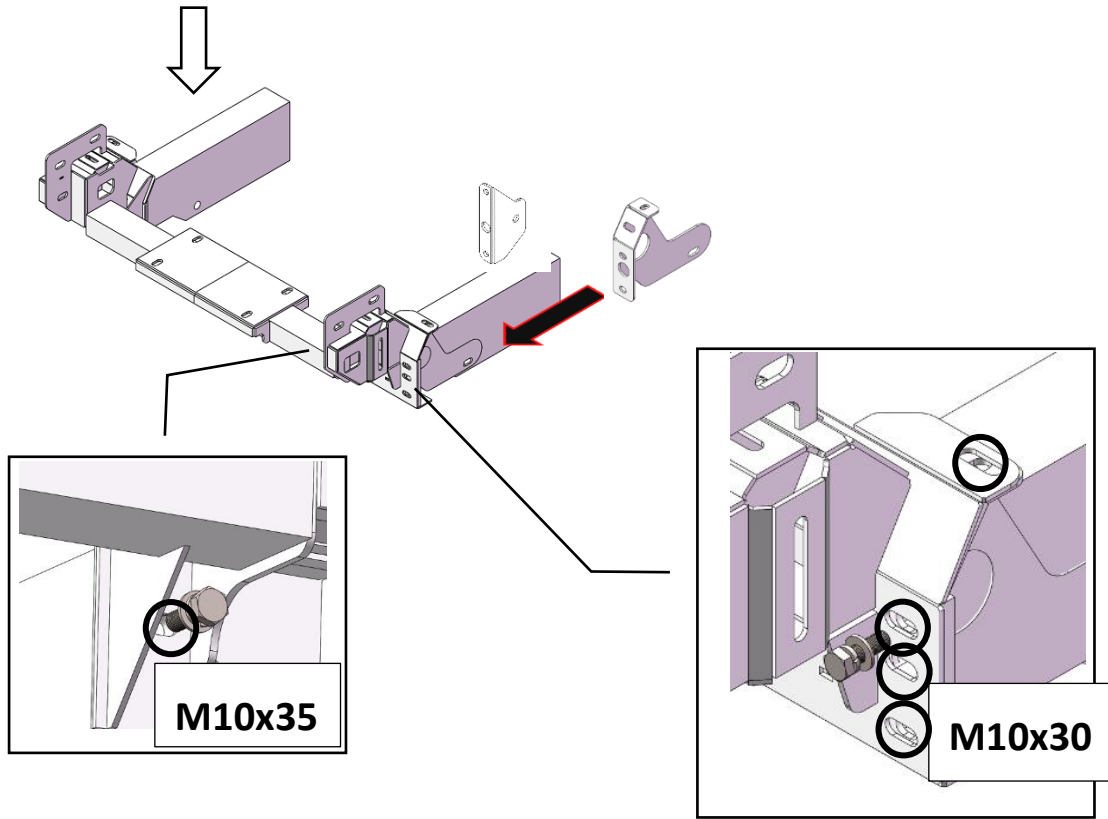
**X2 LIGHTS CONECTORS**

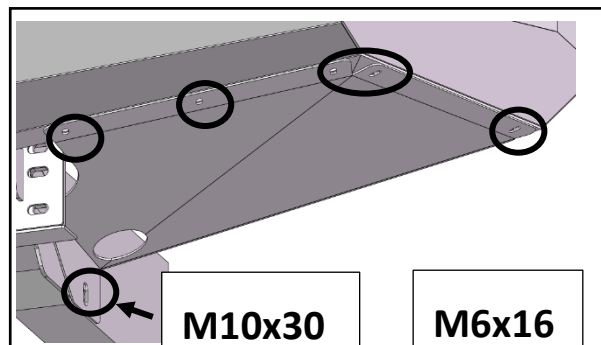
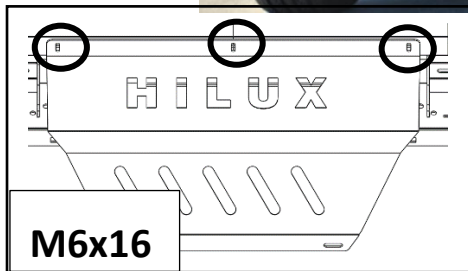
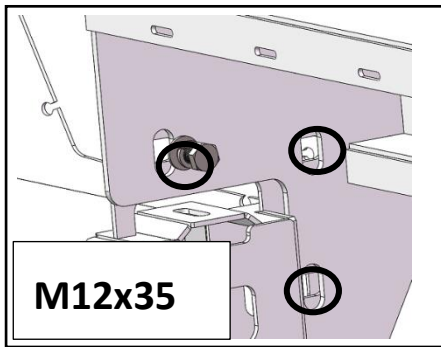
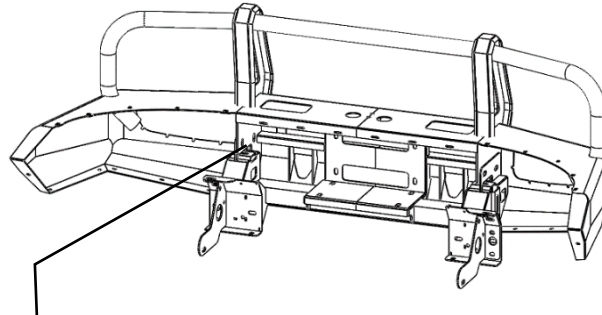


**2X LLIGHT BRACKET**



## THE ORIGINAL CAR GIRDER

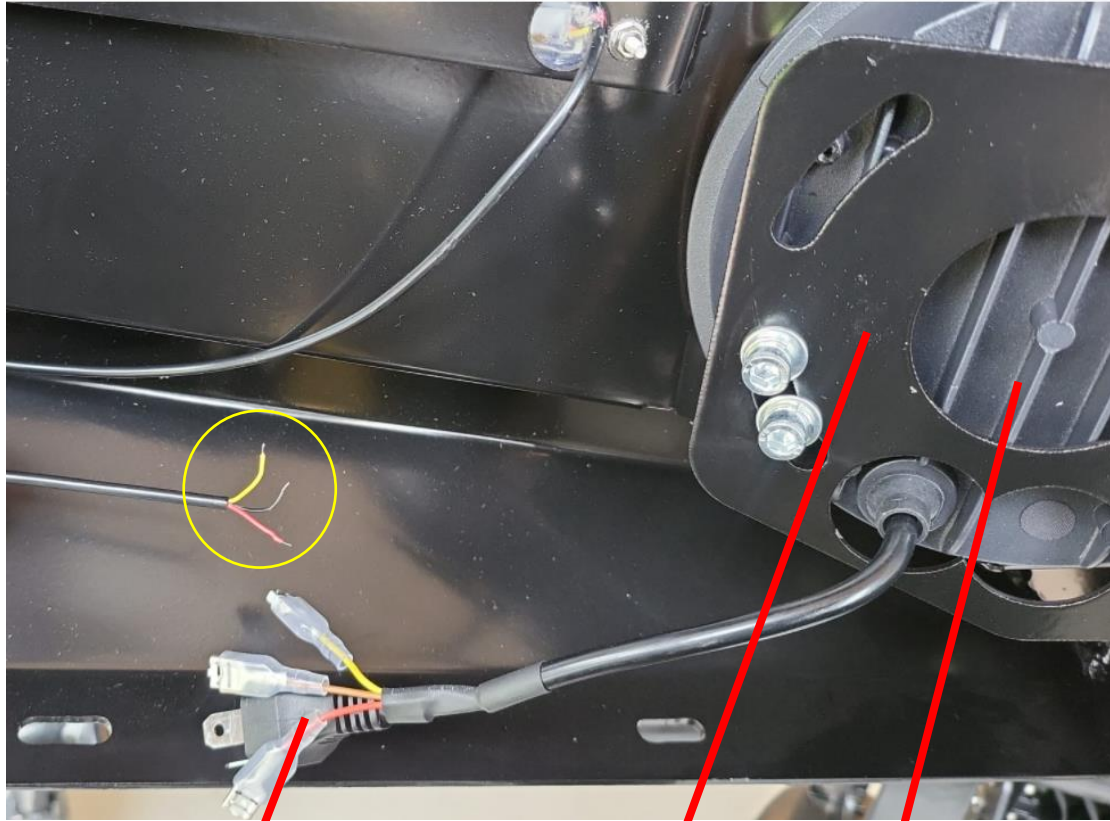








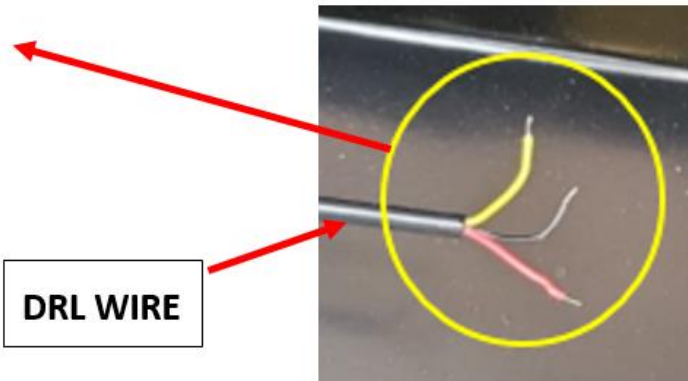
## DO THE WIRING BASED ON BELLOW WIRING DIAGRAM



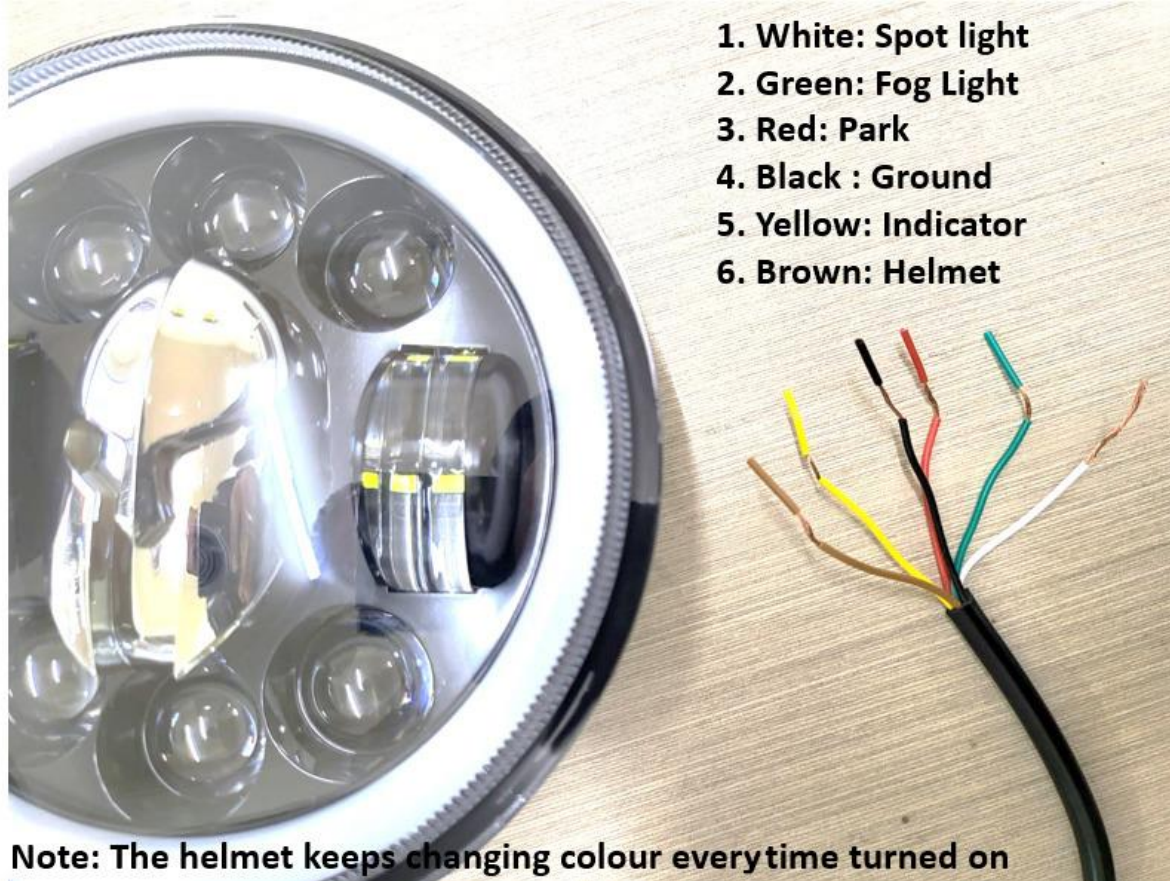
- Red: Park light
- Yellow: Indicator
- Brown Helmet
- Black: Negative

Fog light  
Bracket

Fog light



DRL WIRE



### 3. FITTING FOG LIGHTS

Use the supplied left and right brackets for fitting the fog lights

Make sure the Fog light to be centered and the ARMORMAN

Writing faced up







**ARMORMAN 4x4**

**1300 3075 43**

[Sales@armorman4x4.com.au](mailto:Sales@armorman4x4.com.au)  
[www.armorman4x4.com.au](http://www.armorman4x4.com.au)

## LIGHTS





**ARMORMAN 4x4**

**1300 3075 43**

[Sales@armorman4x4.com.au](mailto:Sales@armorman4x4.com.au)  
[www.armorman4x4.com.au](http://www.armorman4x4.com.au)