



ARMORMAN 4x4

1300 3075 43

Sales@armorman4x4.com.au
www.armorman4x4.com.au

COMMERCIAL BULL BAR FOR NISSAN NAVARA NP300 (2015-2020)

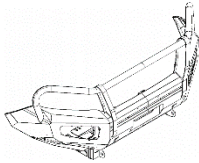


[Read the installation instructions carefully to avoid damaging the vehicle or the competitive bar !!!](#)

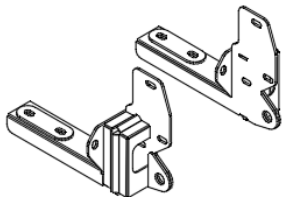


(PLEASE CHECK THAT THE ACCESSORIES ARE COMPLETE)

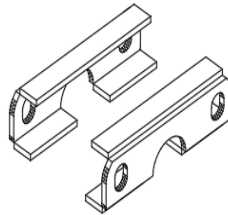
COMPETTIVE BARS AND ACCESSORIES



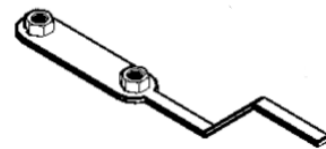
1X ATHLETIC BAR



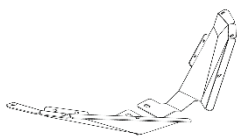
2X BRACKET



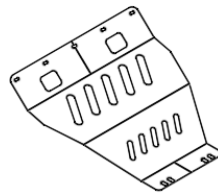
2X PAD



1X NUT PLATE

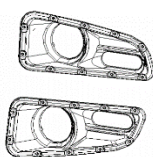


2X BIPLANE GUARD



1X LOWER GUARD

LIGHTS AND OTHER ACCESSORIES



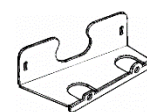
2X LAMP CASE



2X HEADLIGHTS



2X LED LAMP



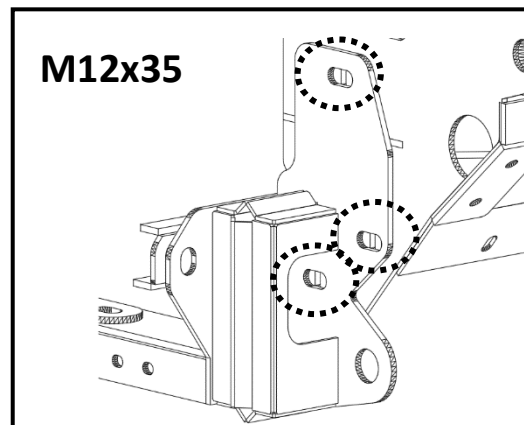
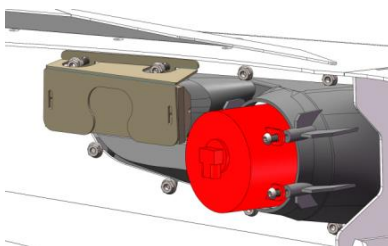
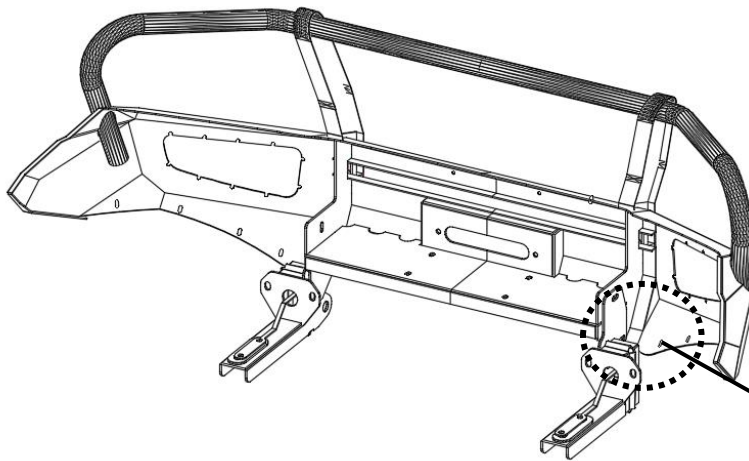
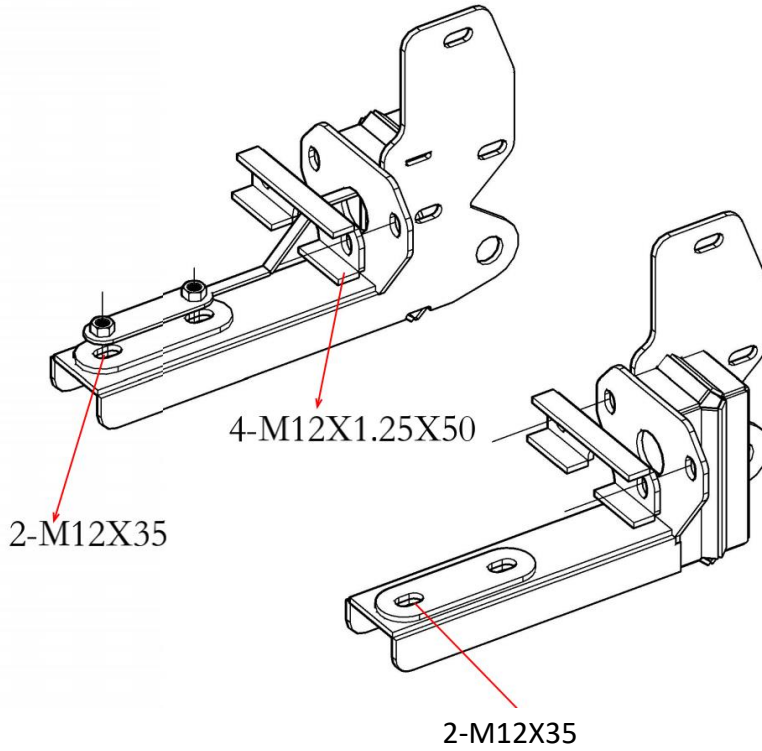
2X LIGHT STAND



ARMORMAN 4x4

1300 3075 43

Sales@armorman4x4.com.au
www.armorman4x4.com.au





ARMORMAN 4x4

1300 3075 43

Sales@armorman4x4.com.au
www.armorman4x4.com.au

