



ARMORMAN 4x4

1300 3075 43

Sales@armorman4x4.com.au
www.armorman4x4.com.au

BUSHMASTER BULL BAR FOR PRADO 150 (2009-2013)

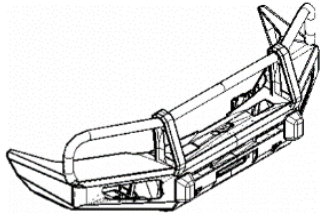


Read the installation instructions carefully to avoid damaging the vehicle or
the competitive bar!!!

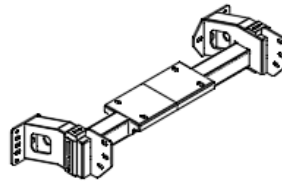


(PLEASE CHECK THE ACCESSORIES ARE COMPLETED)

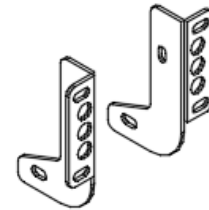
BARS & ACCESSORIES:



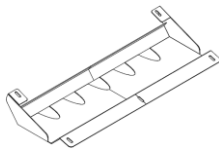
1x BULL BAR



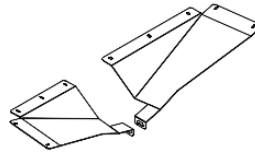
1x WINCH BRACKET



2x BRACKET



1x BOTTOM GUARD PLATE



2x BOTH SIDE GUARD PLATE

LIGHTS & OTHER ACCESSORIES:



2x LAMP BODY



2x HEADLIGHT



2x LED LAMP



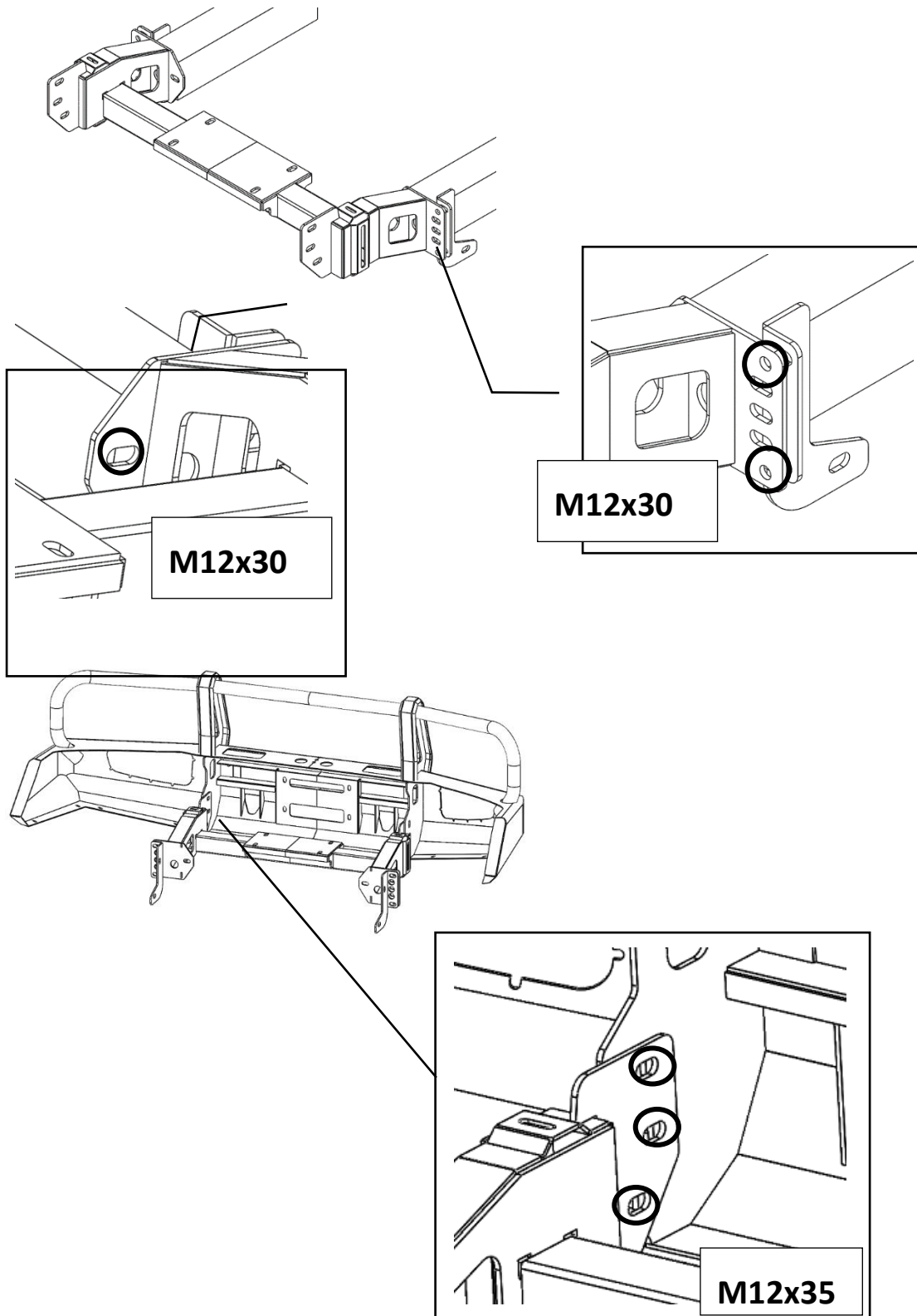
2x LIGHT STAND



ARMORMAN 4x4

1300 3075 43

Sales@armorman4x4.com.au
www.armorman4x4.com.au

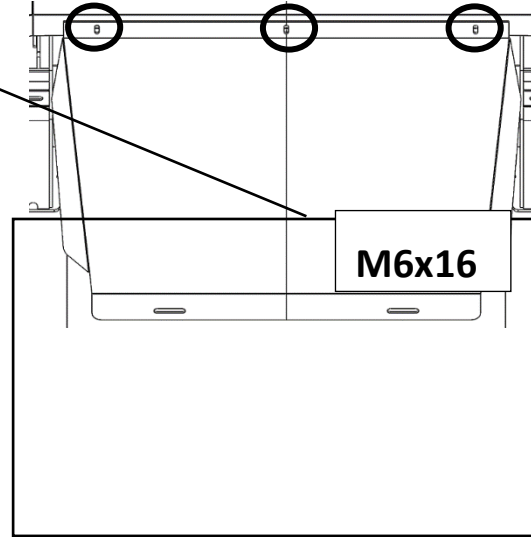
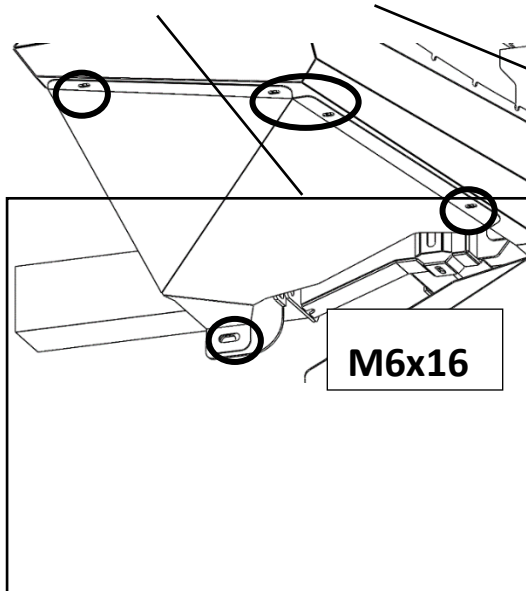
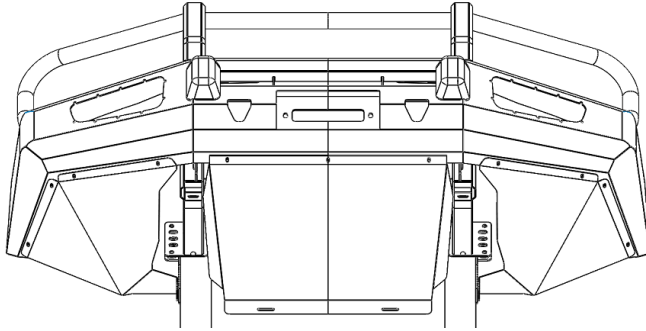




ARMORMAN 4x4

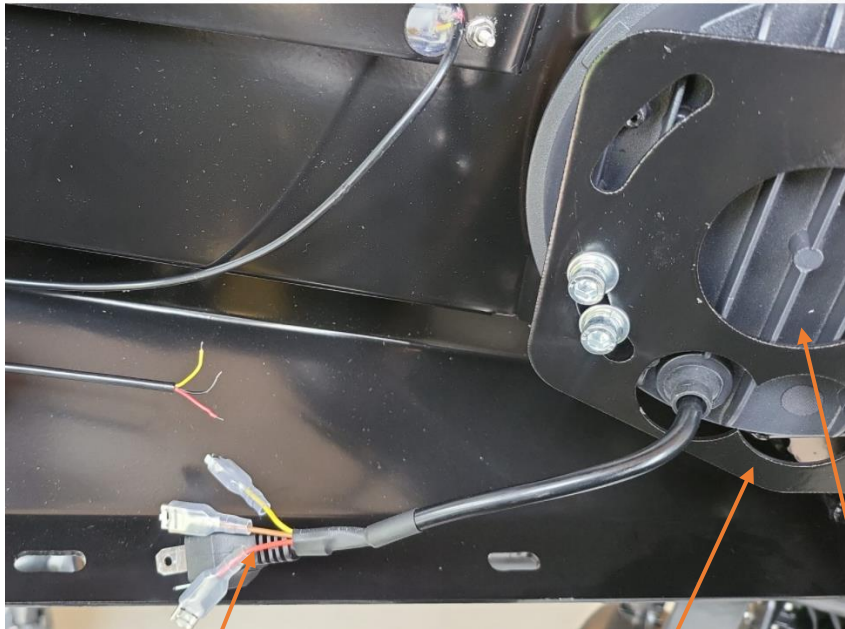
1300 3075 43

Sales@armorman4x4.com.au
www.armorman4x4.com.au





2. DO THE WIRING BASED ON BELLOW WIRING DIAGRAM

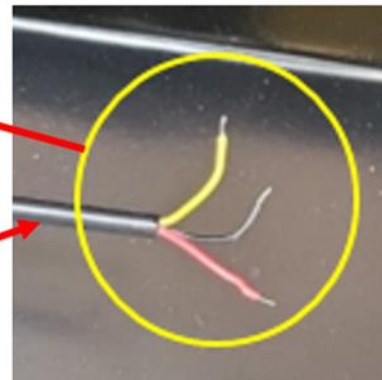


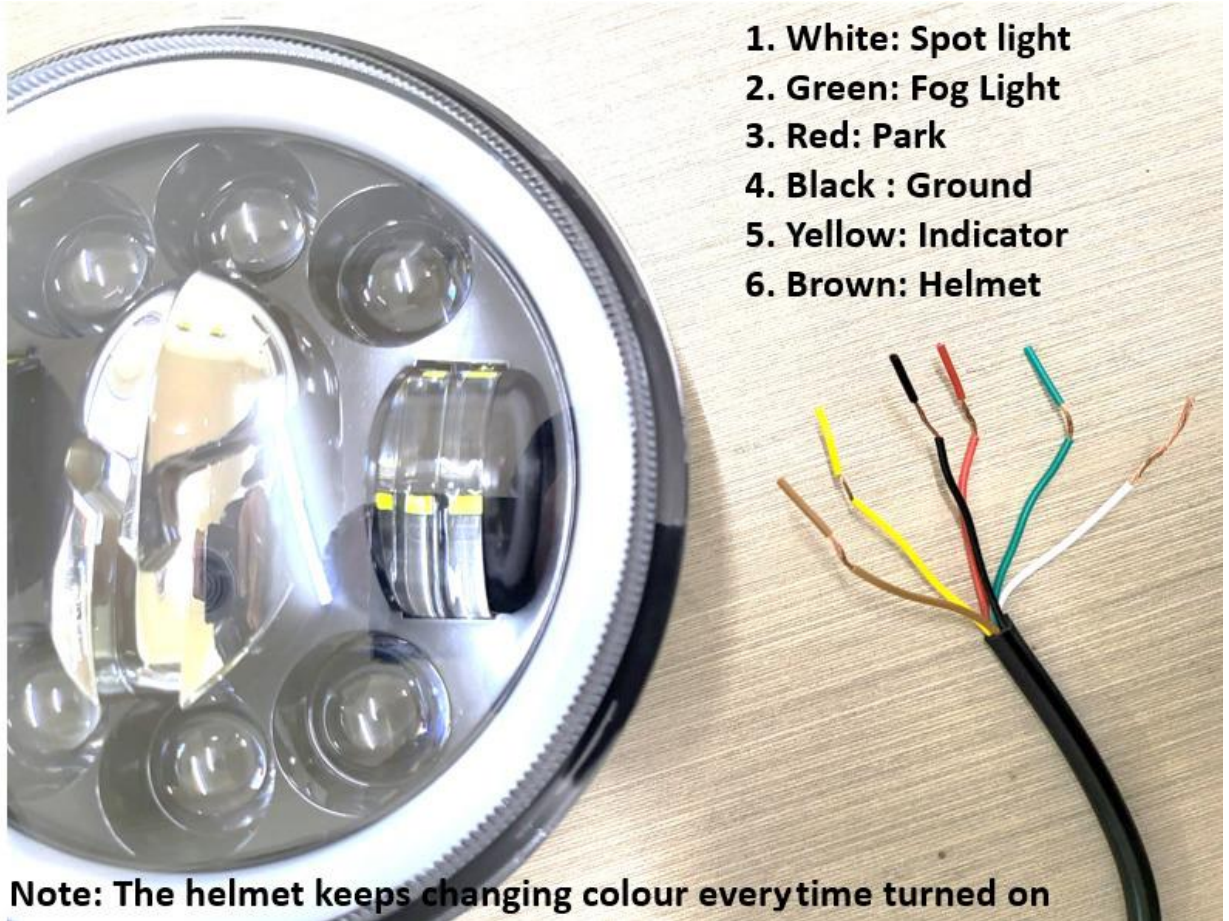
- Red: Park light
- Yellow: Indicator
- Brown: Helmet
- Black: Negative

Fog light Bracket

Fog light

DRL WIRE





3. FITTING FOG LIGHTS

Use the supplied left and right brackets for fitting the fog lights
Make sure the Fog light to be centered and the ARMORMAN Writing faced up





ARMORMAN 4x4

1300 3075 43

Sales@armorman4x4.com.au
www.armorman4x4.com.au

4. LIGHTS

