



ARMORMAN 4x4

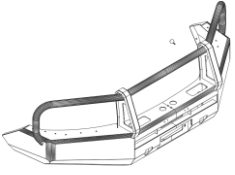
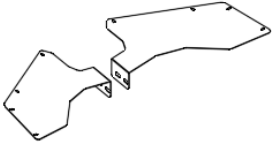
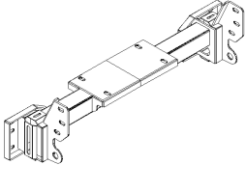
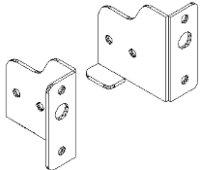
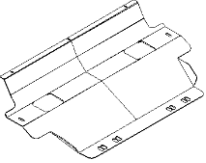

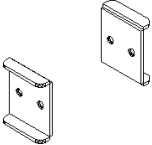


1300 3075 43

Sales@armorman4x4.com.au
www.armorman4x4.com.au

BUSHMASTER BULL BAR TOYOTA HILUX REVO 2015-2018

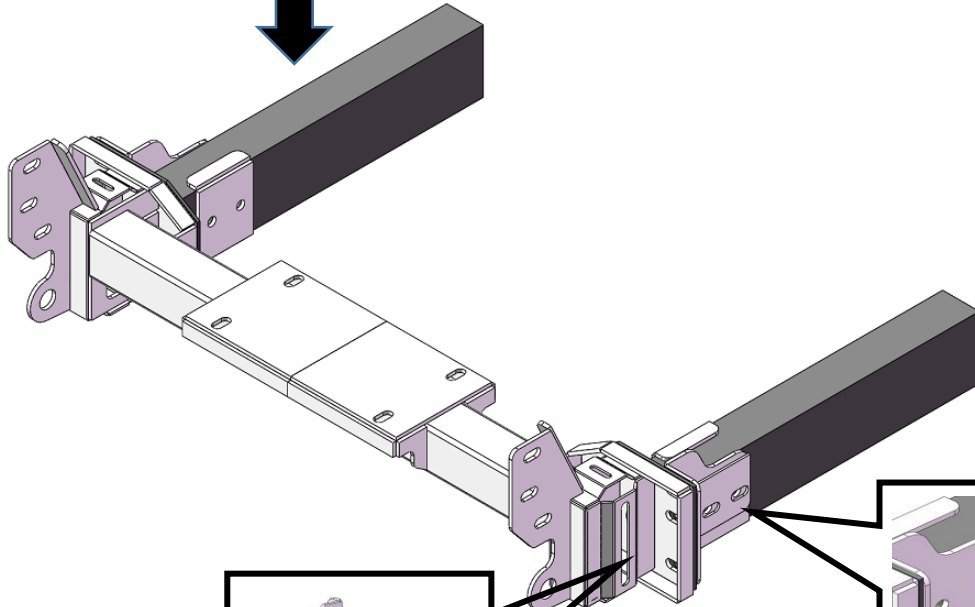




1 BAR BODY		1 SET OF WING GUARDS	
1 WINCH BRACKET		1 PAIR OF BEAM HEAD BRACKET	
1 LOWER SKID PLATE		2x HEADLIGHTS X2 LIGHTS CONECTORS	
2 GAS PLATES			
X2 INDICATORS 	2x LIGHT BRACKET 		

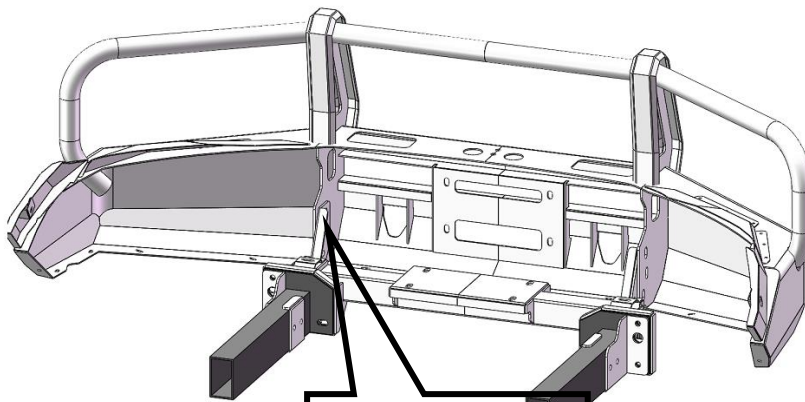


Original car girder



M12X35

M12X80



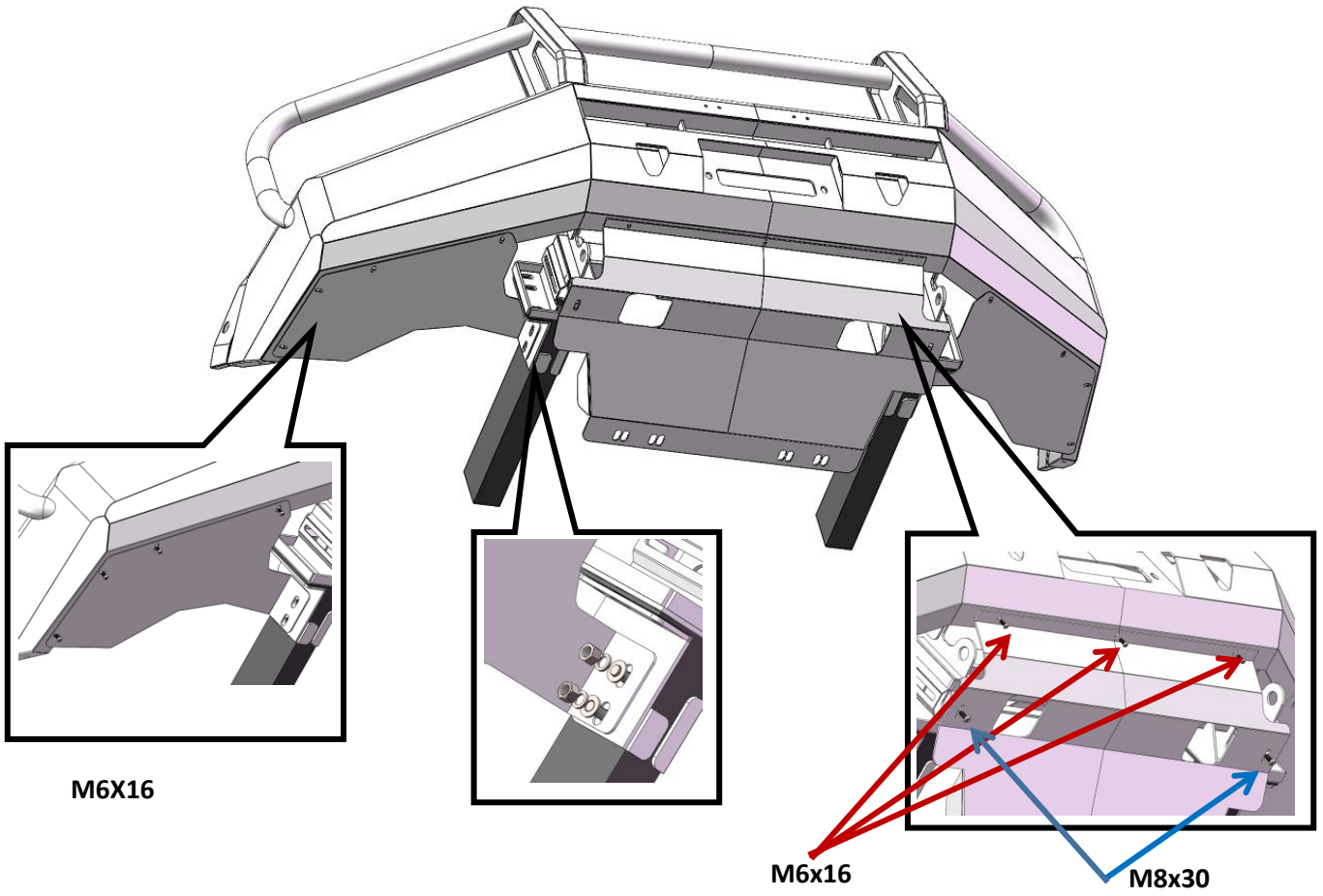
M12x35



ARMORMAN 4x4

1300 3075 43

Sales@armorman4x4.com.au
www.armorman4x4.com.au



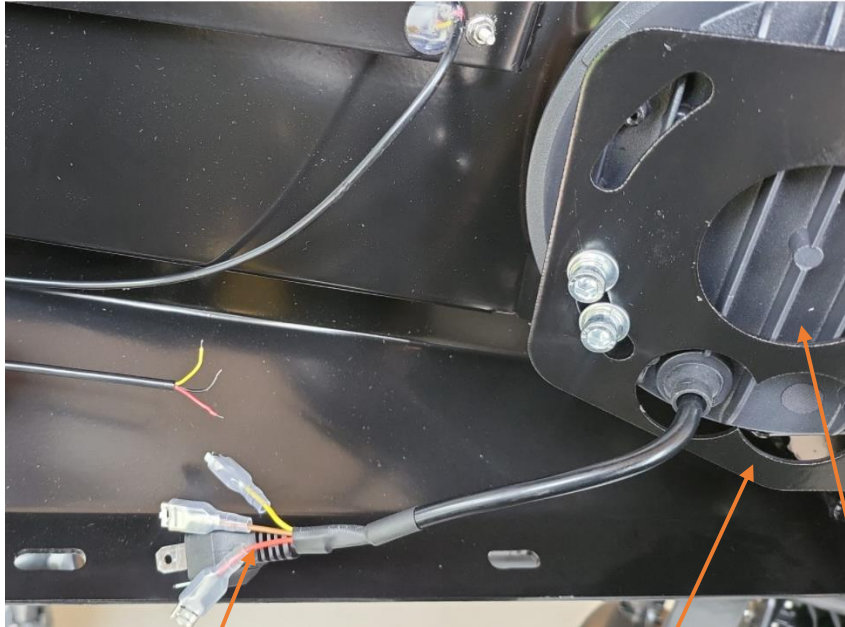
M6x16

M6x16

M8x30



DO THE WIRING BASED ON BELLOW WIRING DIAGRAM

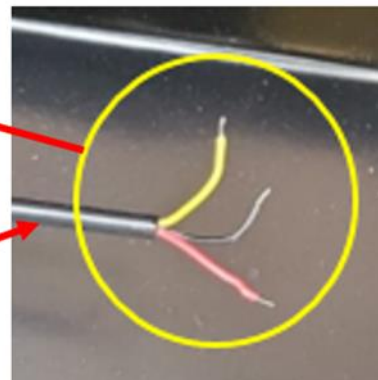


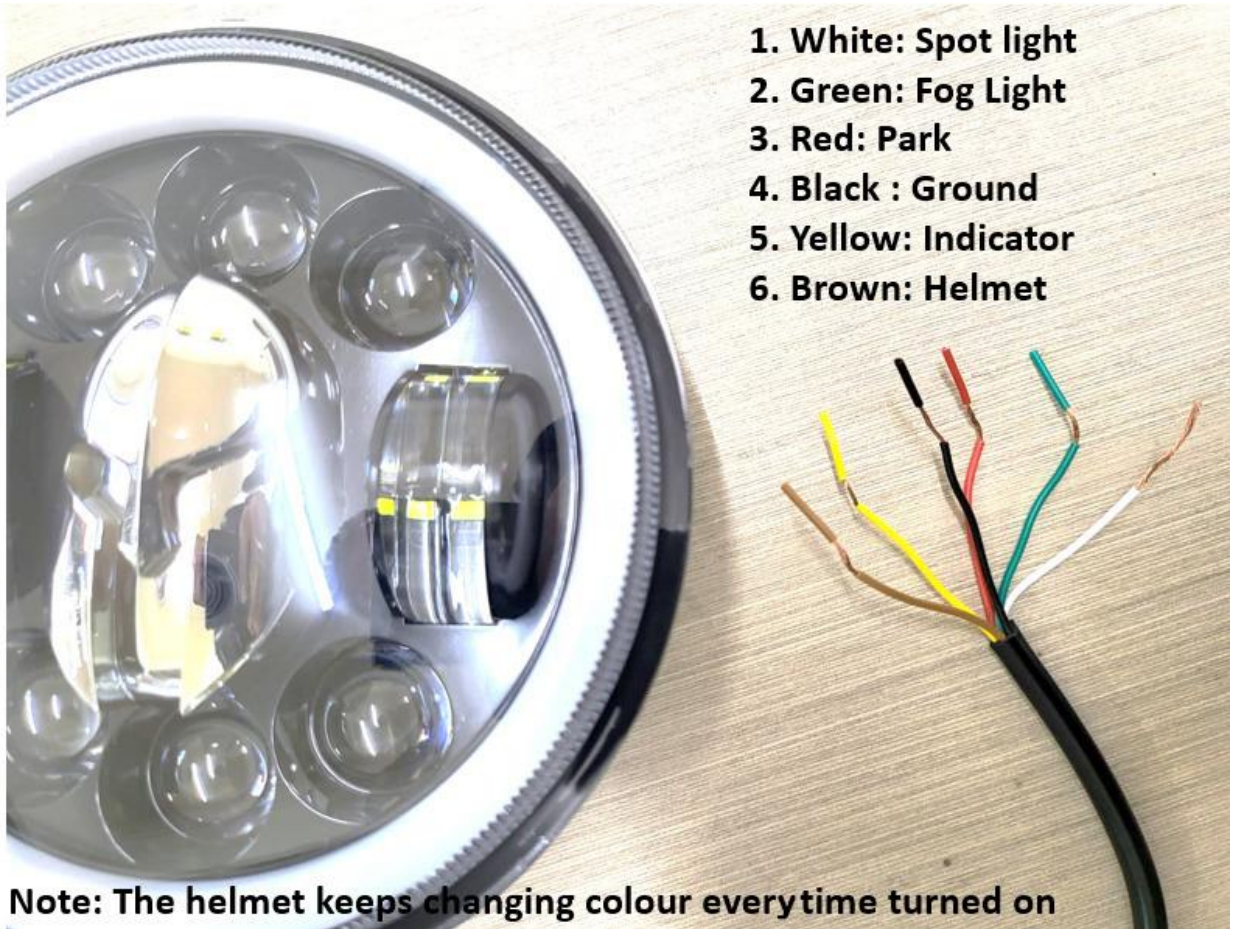
- Red: Park light
- Yellow: Indicator
- Brown: Helmet
- Black: Negative

Fog light
Bracket

Fog light

DRL WIRE





1. White: Spot light
2. Green: Fog Light
3. Red: Park
4. Black : Ground
5. Yellow: Indicator
6. Brown: Helmet

Note: The helmet keeps changing colour everytime turned on

FITTING FOG LIGHTS

Use the supplied left and right brackets for fitting the fog lights
Make sure the Fog light to be centered and the ARMORMAN Writing faced up





ARMORMAN 4x4

1300 3075 43

Sales@armorman4x4.com.au
www.armorman4x4.com.au

LIGHTS

