



# ARMORMAN 4x4

1300 3075 43

Sales@armorman4x4.com.au  
www.armorman4x4.com.au

## BUSHMASTER BULL BAR FOR LC 100

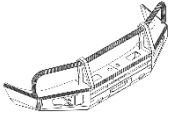


Read the installation instructions carefully to avoid damaging the vehicle or the competitive bar !!!

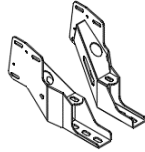


**(PLEASE CHECK THAT THE ACCESSORIES ARE COMPLETE)**

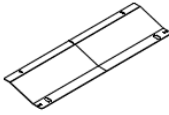
## COMPETTIVE BARS AND ACCESSORIES



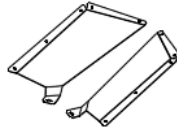
**1X ATHLETIC BAR**



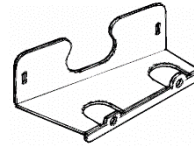
**1X BRACKET**



**1X LOWER GUARD**



**2X BIPLANE GUARD**



**2X LIGHT STAND**

## LIGHTS AND OTHER ACCESSORIES



**2X LAMP CASE**



**2X HEADLIGHTS**



**2X LED LAMP**



**2X LIGHT STAND**



**BEFORE INSTALLATION CHECK BULL BAR APPLICATION IS COMPATIBLE WITH YOUR VEHICLE.**

**1. REMOVE FRONT BUMPER.**



**2. REMOVE RECOVERY HOOKS.**



**3. REFIT RECOVERY HOOKS USING ORIGINAL BOLTS.**

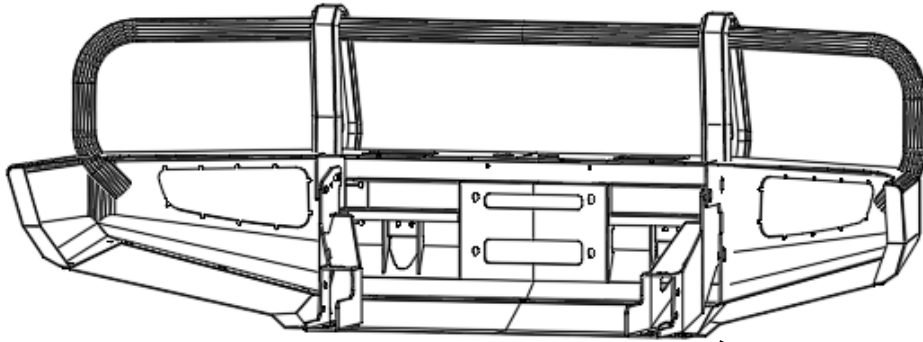




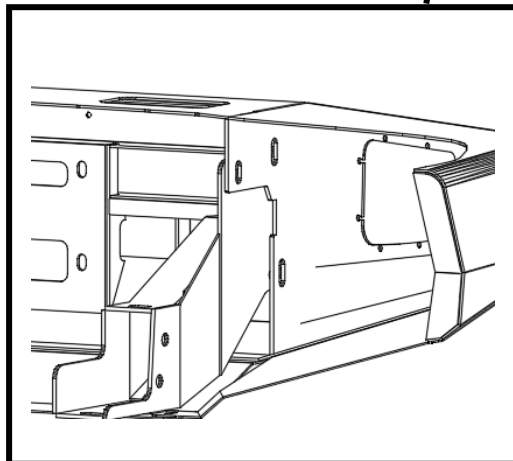
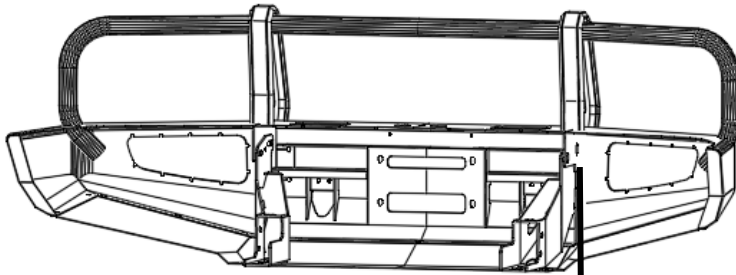
# ARMORMAN 4x4

1300 3075 43

Sales@armorman4x4.com.au  
www.armorman4x4.com.au



a

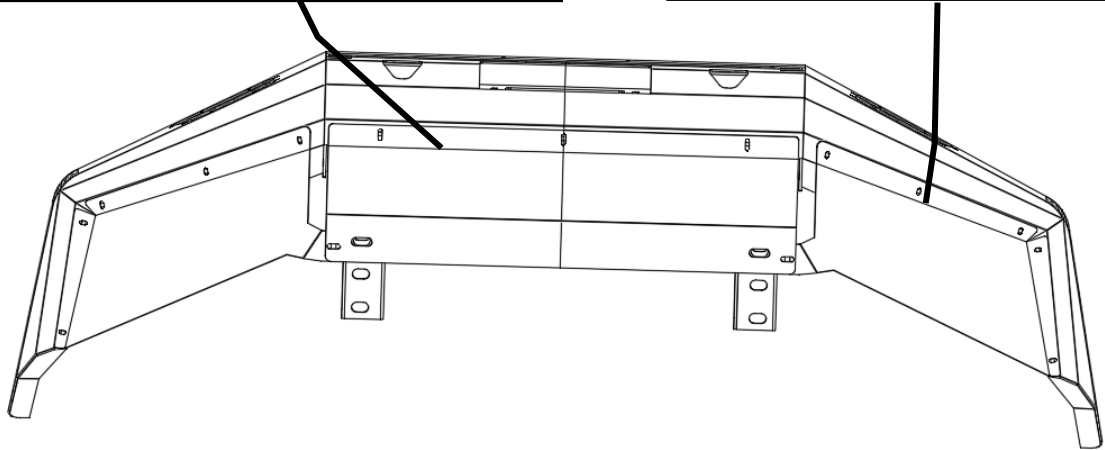
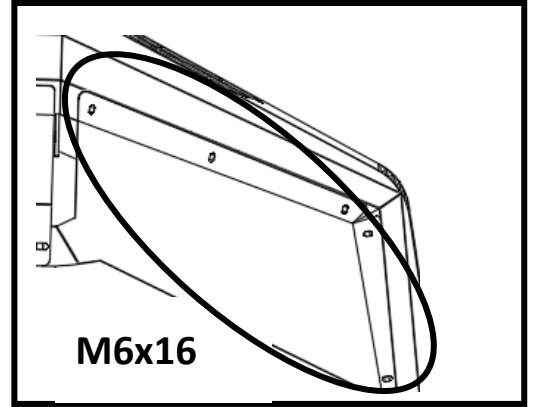
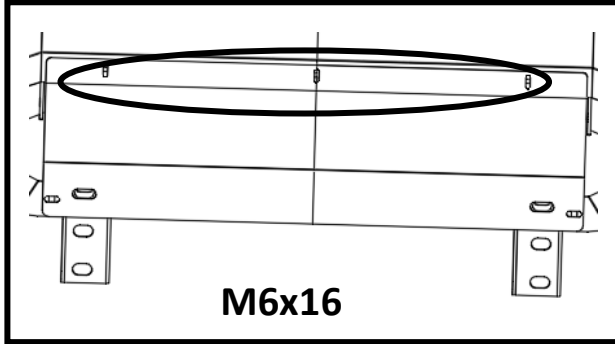




# ARMORMAN 4x4

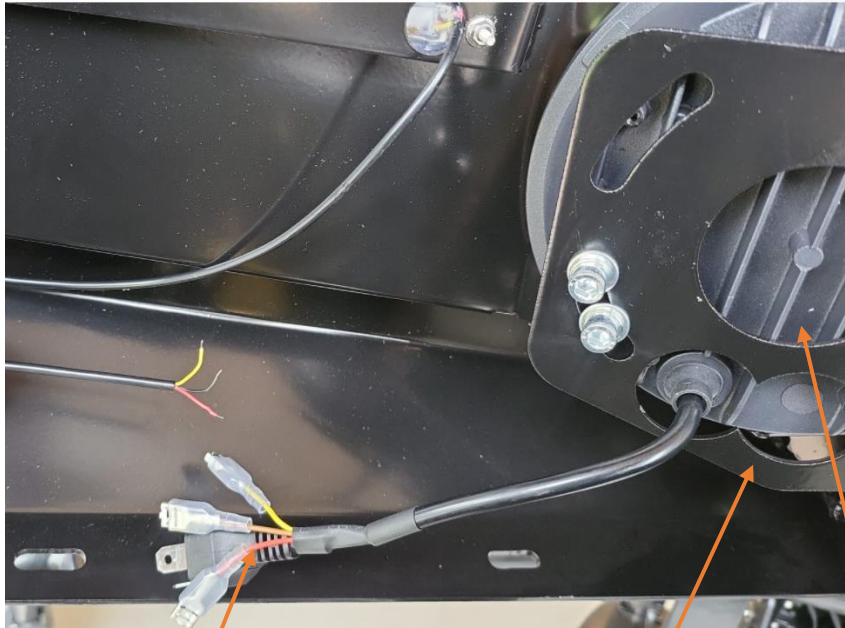
1300 3075 43

Sales@armorman4x4.com.au  
www.armorman4x4.com.au





## 2. DO THE WIRING BASED ON BELLOW WIRING DIAGRAM

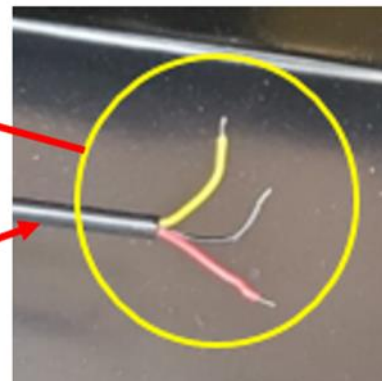


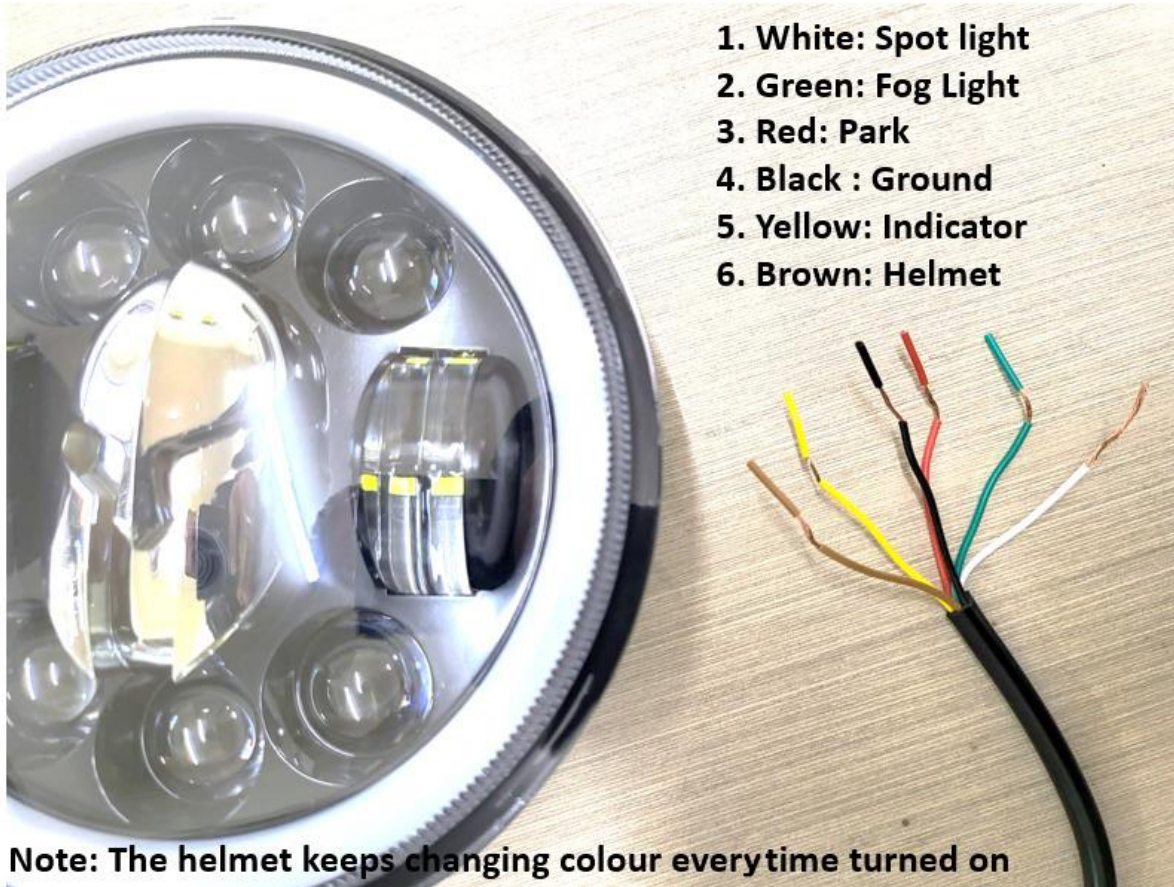
- Red: Park light
- Yellow: Indicator
- Brawn Helmet
- Black: Negative

Fog light  
Bracket

Fog light

DRL WIRE





### 3. FITTING FOG LIGHTS

Use the supplied left and right brackets for fitting the fog lights

Make sure the Fog light to be centered and the ARMORMAN Writing faced up





**ARMORMAN 4x4**

**1300 3075 43**

Sales@armorman4x4.com.au  
www.armorman4x4.com.au

## **LIGHTS**

