



**ARMORMAN 4x4**

**1300 3075 43**

Sales@armorman4x4.com.au  
www.armorman4x4.com.au

## **BUSHMASTER ARMOR BAR – MN/ML TRITON (2005-2014)**



**READ THE INSTALLATION INSTRUCTIONS CAREFULLY TO AVOID DAMAGING THE VEHICLE OR THE COMPETITIVE BAR!!!**

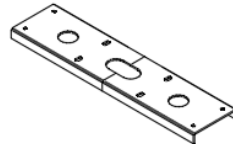


**(PLEASE CHECK THAT THE ACCESSORIES ARE COMPLETE)**

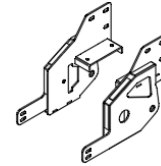
## **COMPETITIVE BARS AND ACCESSORIES**



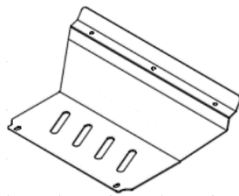
**1X ATHLETIC BAR**



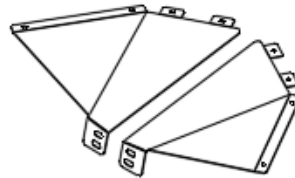
**1X WINCH BRACKET**



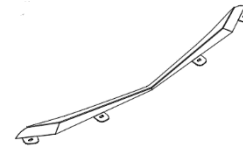
**2X BEAM HEAD BRACKET**



**1X LOWER GUARD**



**2X BIPLANE GUARD**



**1X CHINA NET**

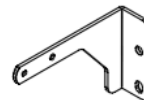
## **LIGHTS AND OTHER ACCESSORIES**



**2X LIGHT BRACKETS**



**2X HEADLIGHTS**



**1X WATER TANK  
STAND**



**1X WATER TANK**



**2X LED LAMP**



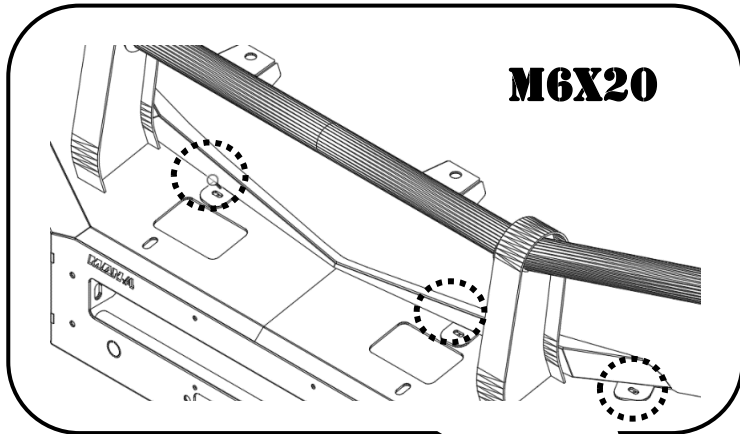
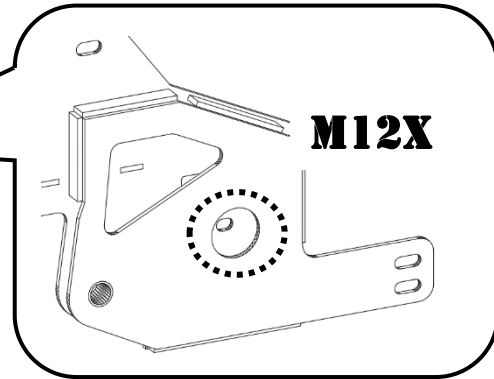
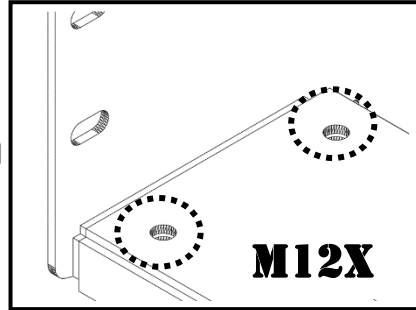
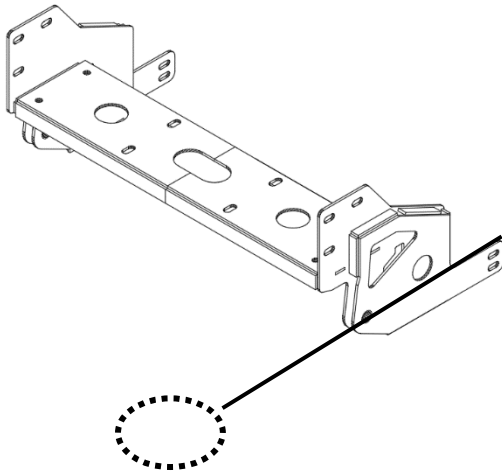
**2X CONNECTION WIRE**



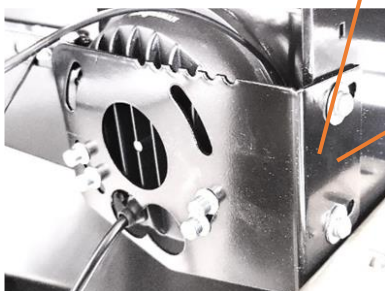
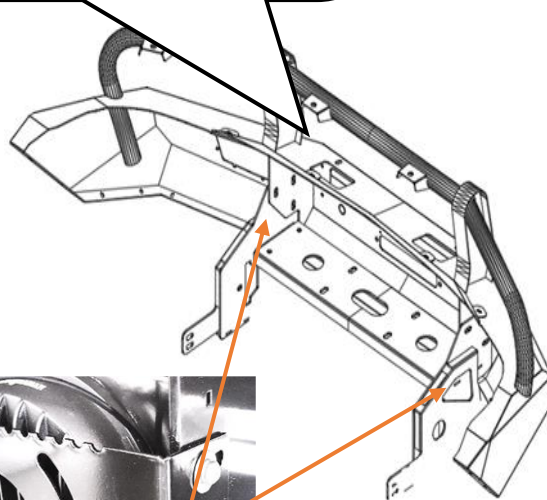
# ARMORMAN 4x4

1300 3075 43

Sales@armorman4x4.com.au  
www.armorman4x4.com.au



M6X16

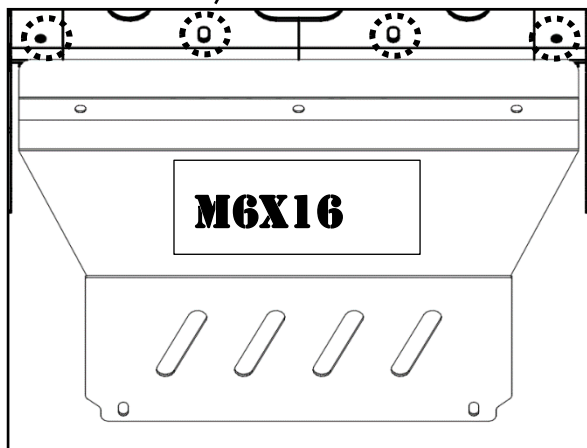
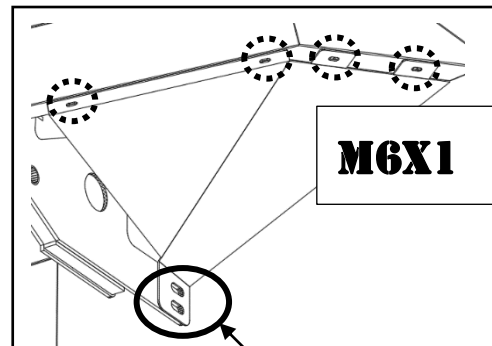
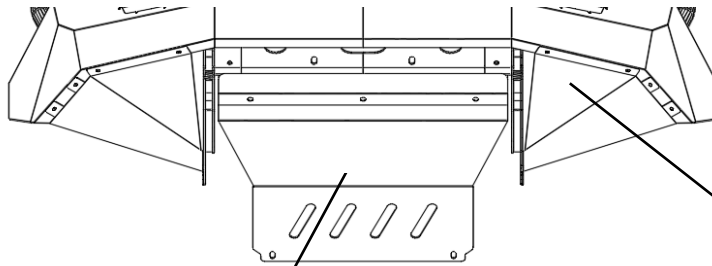
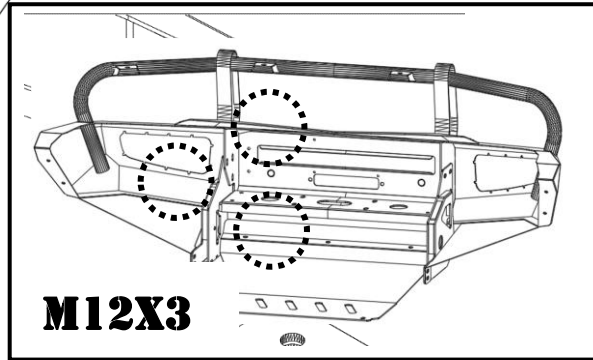
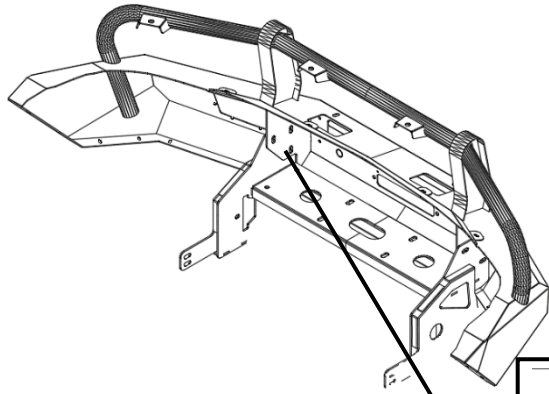




# ARMORMAN 4x4

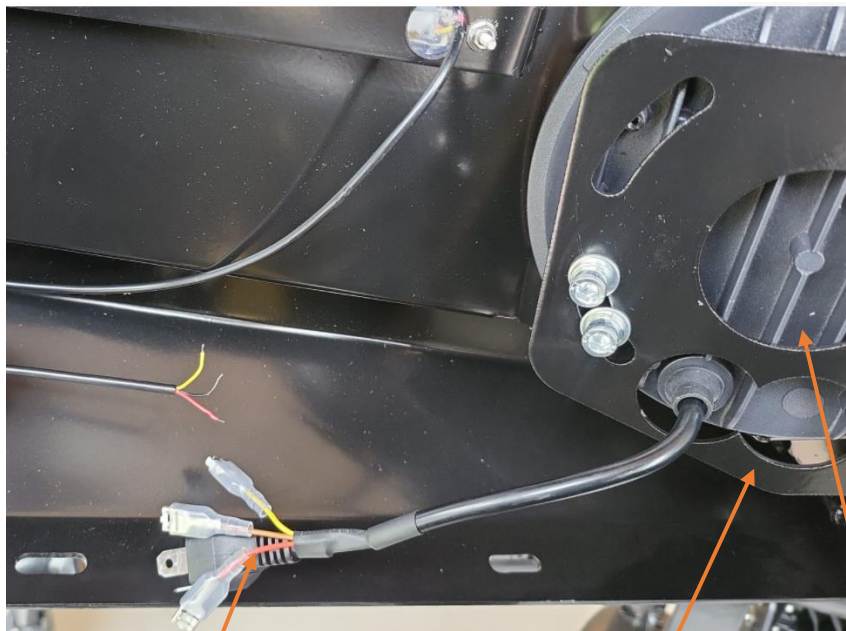
1300 3075 43

Sales@armorman4x4.com.au  
www.armorman4x4.com.au





## 2. DO THE WIRING BASED ON BELLOW WIRING DIAGRAM

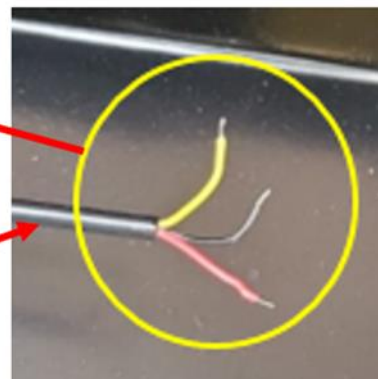


- Red: Park light
- Yellow: Indicator
- Brawn Helmet
- Black: Negative

Fog light  
Bracket

Fog light

DRL WIRE





### 3. FITTING FOG LIGHTS

Use the supplied left and right brackets for fitting the fog lights

Make sure the Fog light to be centered and the ARMORMAN

Writing faced up





**ARMORMAN 4x4**

**1300 3075 43**

Sales@armorman4x4.com.au  
www.armorman4x4.com.au

## **LIGHTS**

