



ARMORMAN 4x4

1300 3075 43

Sales@armorman4x4.com.au
www.armorman4x4.com.au

BUSHMASTER BULL BAR FOR MAZDA BT50 2012-2020

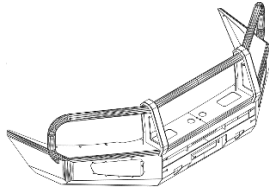


**READ THE INSTALLATION INSTRUCTIONS CAREFULLY TO AVOID
DAMAGING THE VEHICLE OR THE COMPETITIVE BAR!!!**

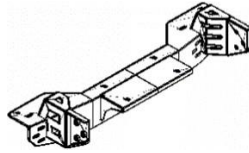


(PLEASE CHECK THE ACCESSORIES ARE COMPLETE)

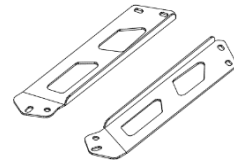
BULL BARS AND ACCESSORIES



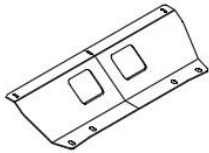
1X BULL BAR



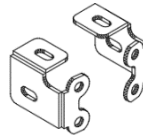
1X WINCH BRACKET



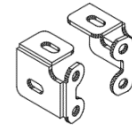
2X REINFORCEMENT RIBS



1X SKID PLATE



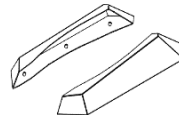
2X SMALL BRACKET A



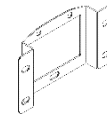
2X SMALL BRACKET B



X2 ARMOR LIGHTS



2X BAR EYEBROW



1X ACC BRACKET



X2 LIGHTS BRACKETS



2X FOG LIGHTS CONNECTORS



X2 LED

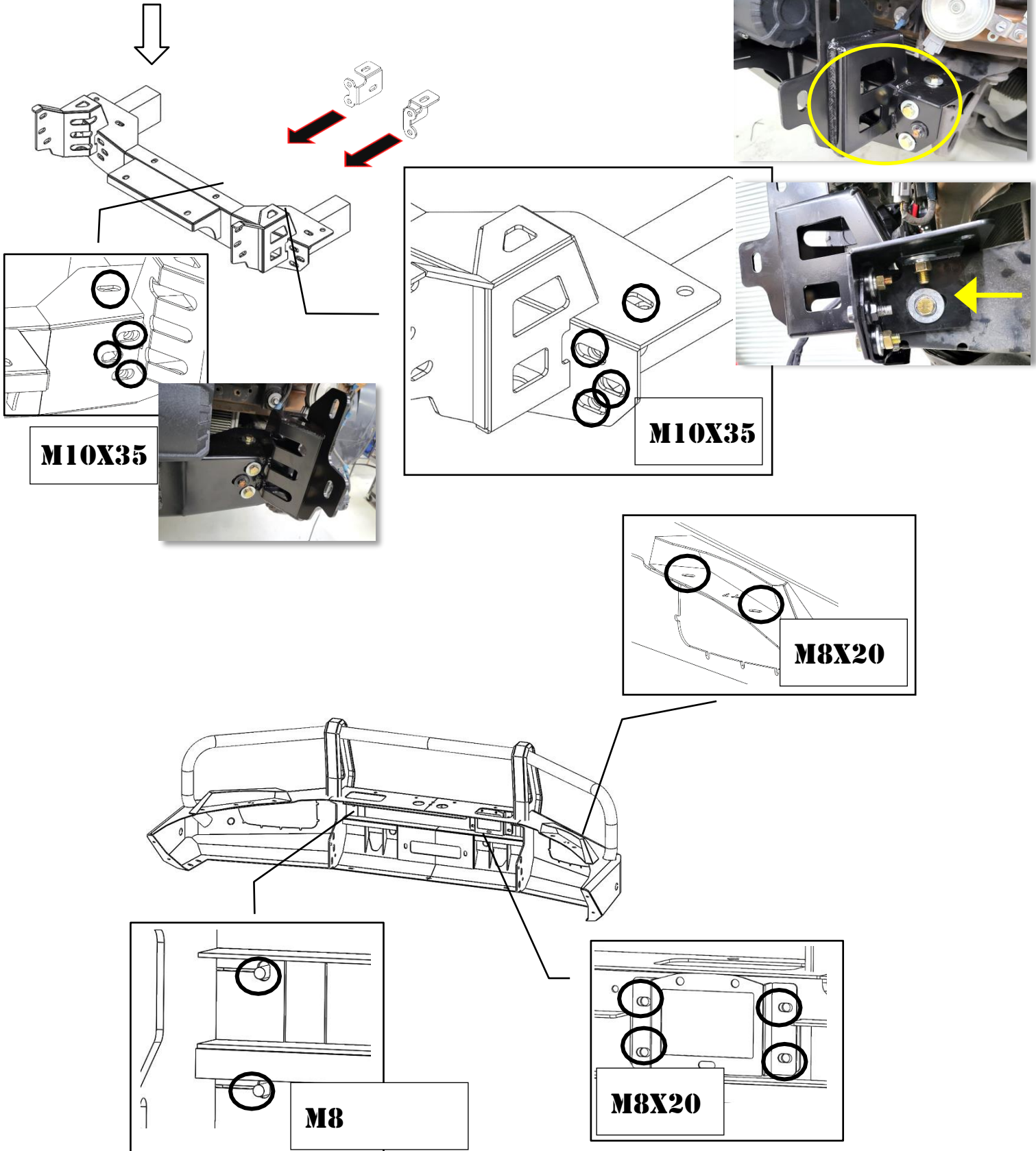


ARMORMAN 4x4

1300 3075 43

Sales@armorman4x4.com.au
www.armorman4x4.com.au

THE ORIGINAL CAR

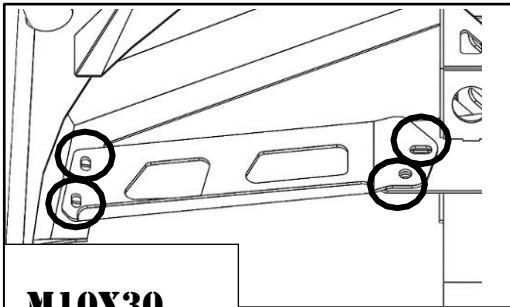
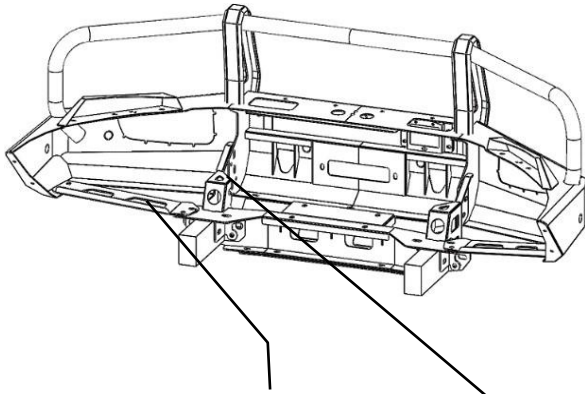
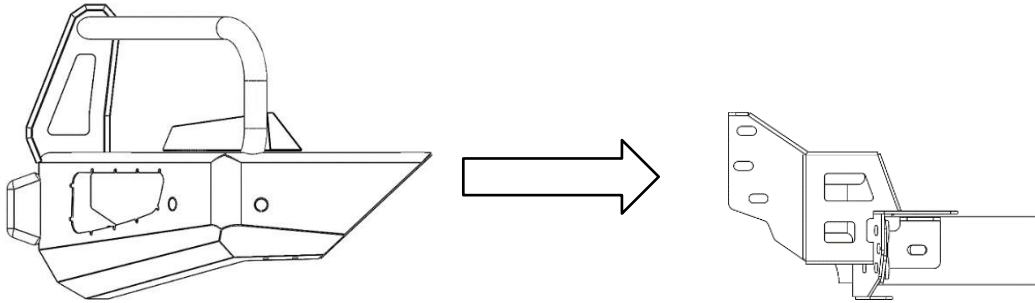




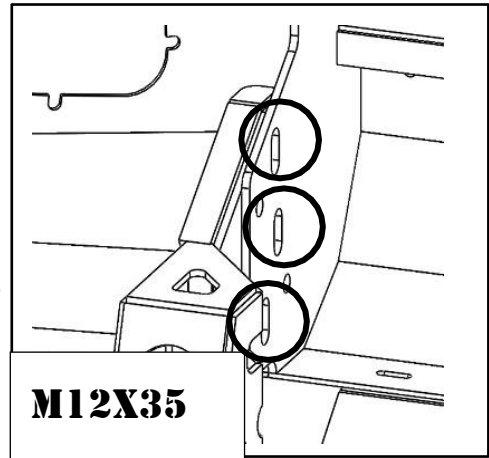
ARMORMAN 4x4

1300 3075 43

Sales@armorman4x4.com.au
www.armorman4x4.com.au



M10X30



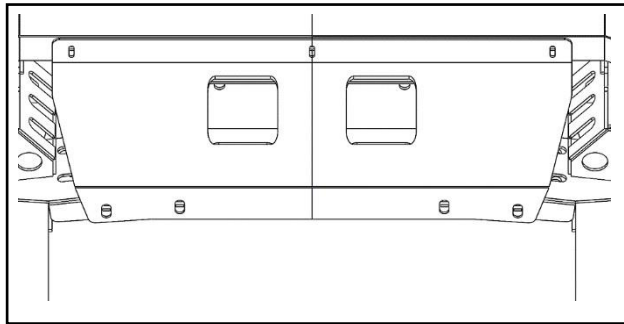
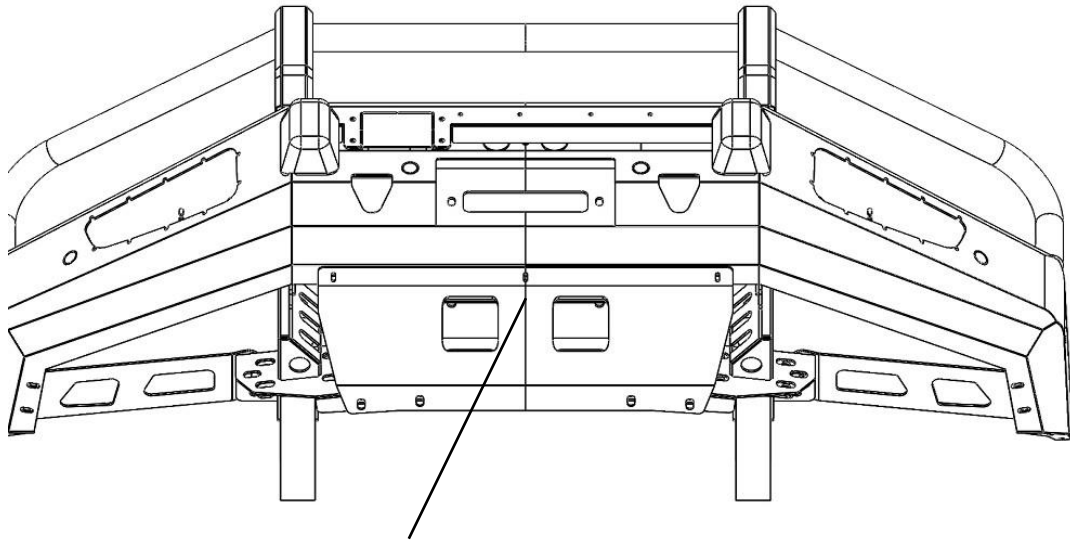
M12X35



ARMORMAN 4x4

1300 3075 43

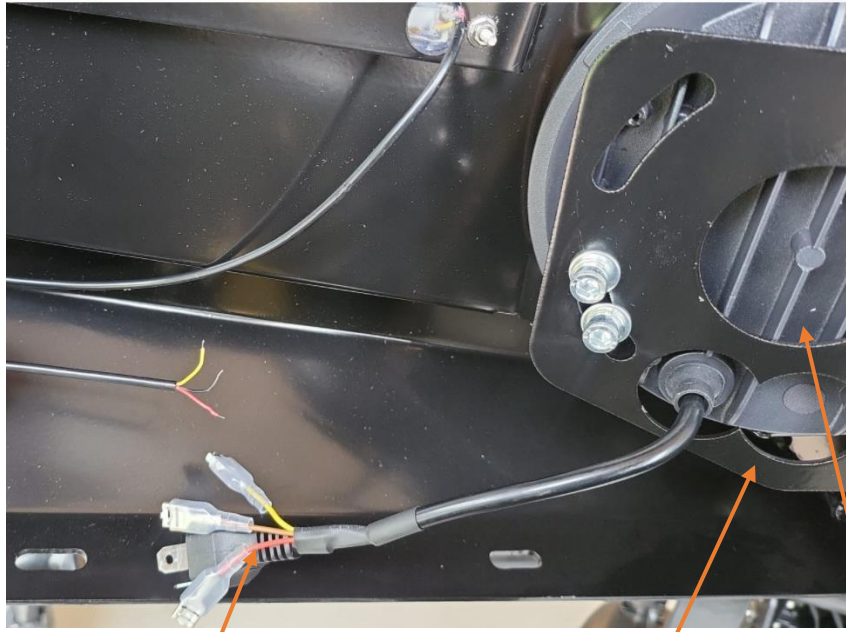
Sales@armorman4x4.com.au
www.armorman4x4.com.au



M6X16



2. DO THE WIRING BASED ON BELLOW WIRING DIAGRAM

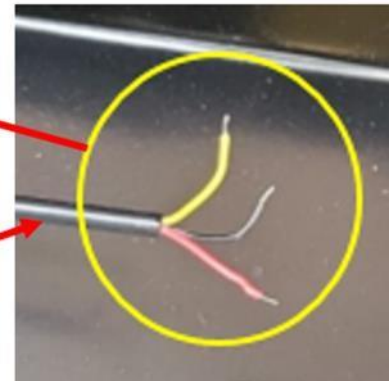


- Red: Park light
- Yellow: Indicator
- Brown: Helmet
- Black: Negative

Fog light
Bracket

Fog light

DRL WIRE

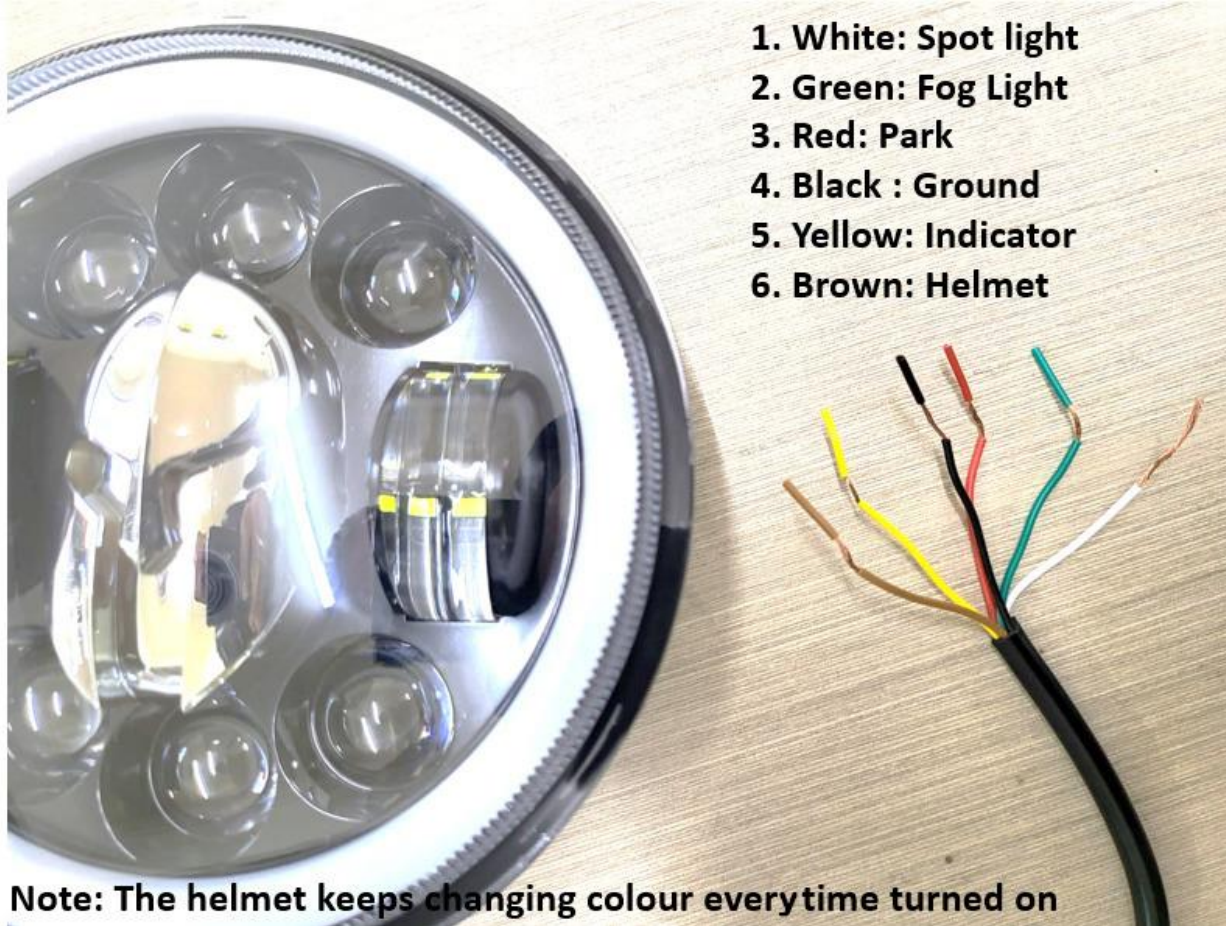




ARMORMAN 4x4

1300 3075 43

Sales@armorman4x4.com.au
www.armorman4x4.com.au



1. White: Spot light
2. Green: Fog Light
3. Red: Park
4. Black : Ground
5. Yellow: Indicator
6. Brown: Helmet

Note: The helmet keeps changing colour everytime turned on

3. FITTING FOG LIGHTS

USE THE SUPPLIED LEFT AND RIGHT BRACKETS FOR FITTING THE FOGLIGHTS. MAKE SURE THE FOG LIGHT TO BE CENTERED AND THE ARMORMAN WRITING FACED UP.





ARMORMAN 4x4

1300 3075 43

Sales@armorman4x4.com.au
www.armorman4x4.com.au

LIGHTS

