

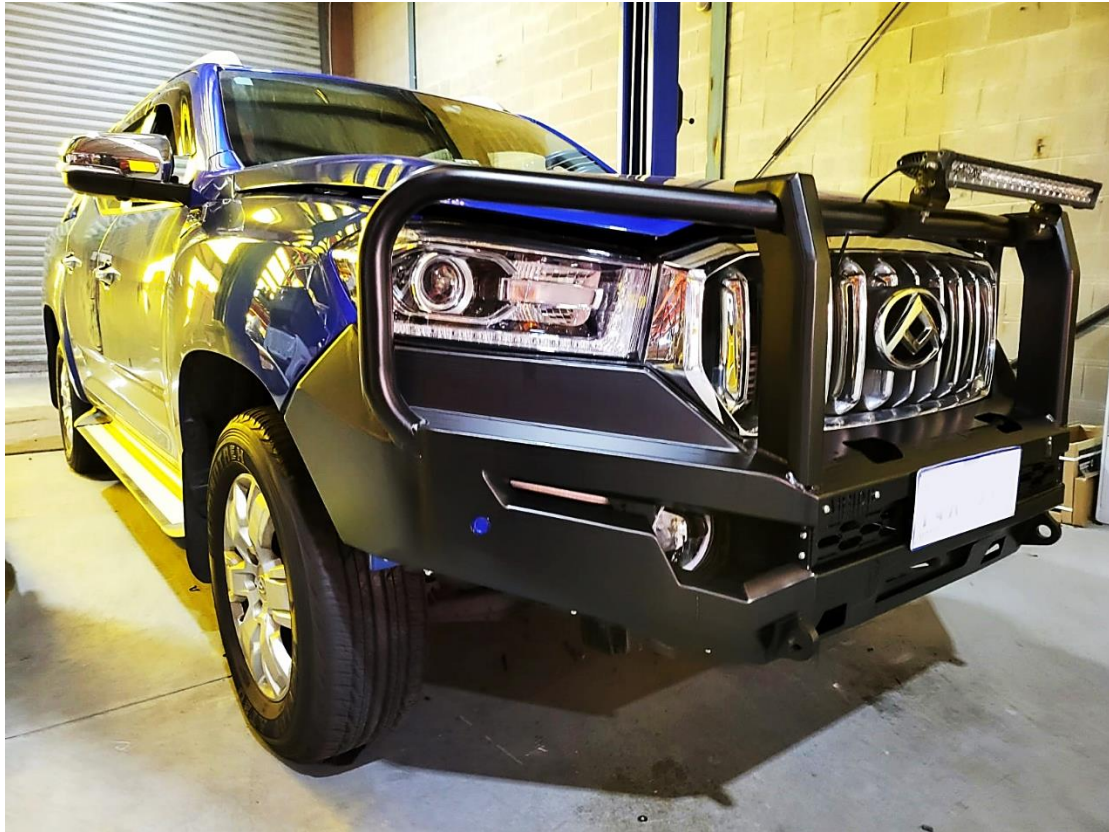


ARMORMAN 4x4

1300 3075 43

Sales@armorman4x4.com.au
www.armorman4x4.com.au

BUSHMASTER BULL BAR FOR LDV



Read the installation instructions carefully to avoid damaging the vehicle or the competitive bar!!!

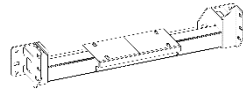


(Please check that the accessories are complete)

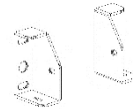
COMPETITIVE BARS & ACCESSORIES:



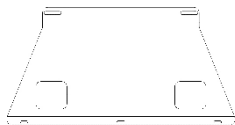
1x ATHLETIC BAR



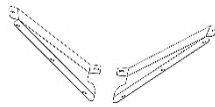
1x WINCH BRACKET



2x BRACKET



1x LOWER GUARD



2x BIPLANE GUARD

LIGHTS & OTHER ACCESSORIES:



2x LAMP CASE



2x HEADLIGHTS



2x LED LIGHTS



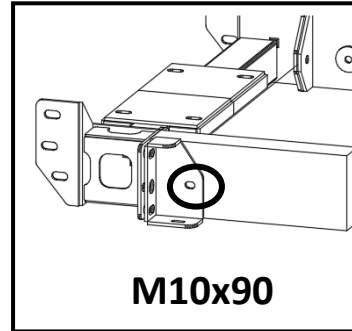
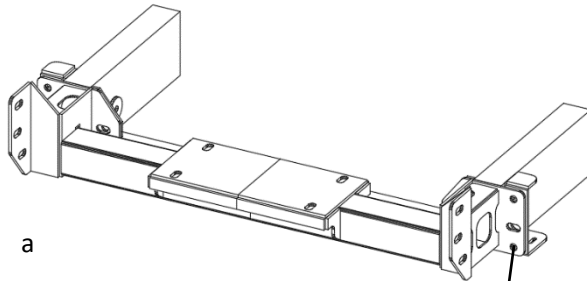
2x LIGHT STAND



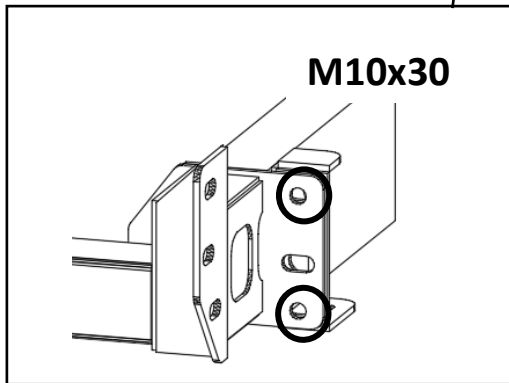
ARMORMAN 4x4

1300 3075 43

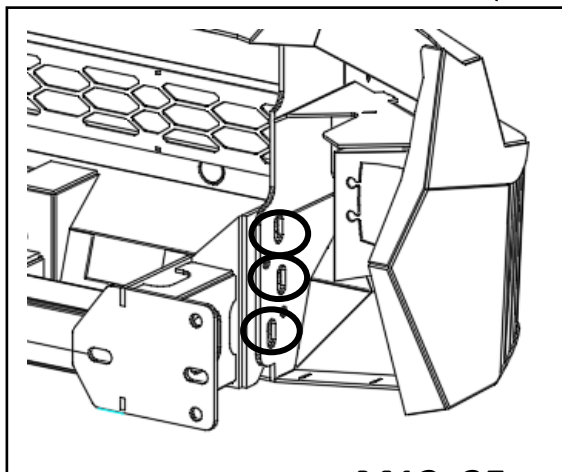
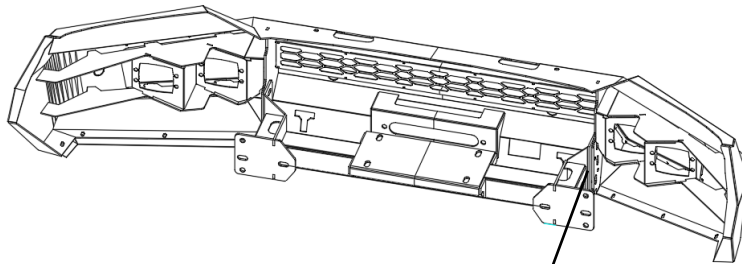
Sales@armorman4x4.com.au
www.armorman4x4.com.au



M10x90



M10x30



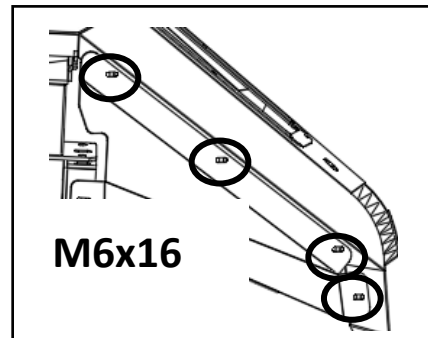
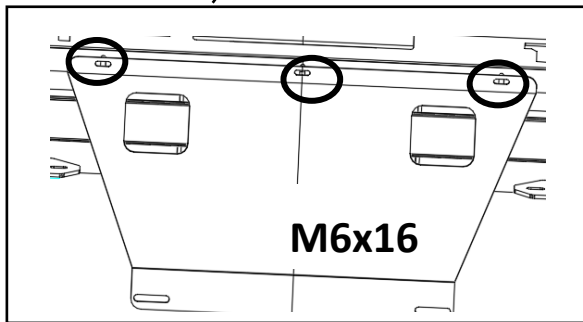
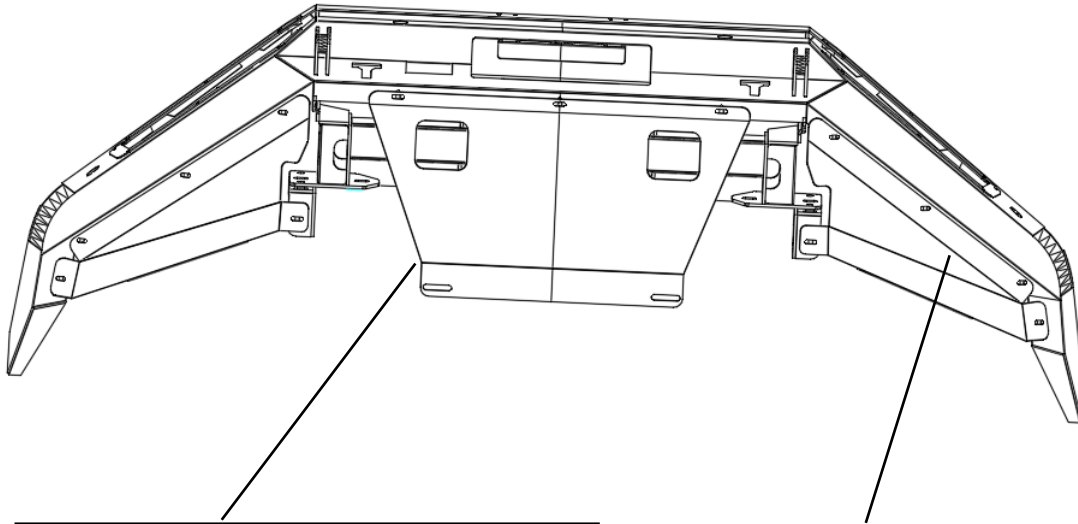
M12x35



ARMORMAN 4x4

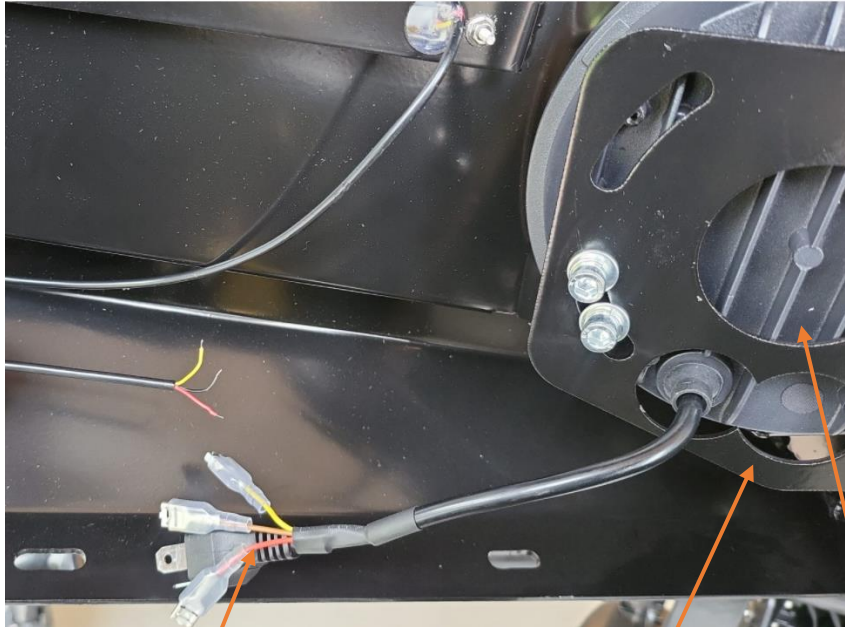
1300 3075 43

Sales@armorman4x4.com.au
www.armorman4x4.com.au





2. DO THE WIRING BASED ON BELLOW WIRING DIAGRAM

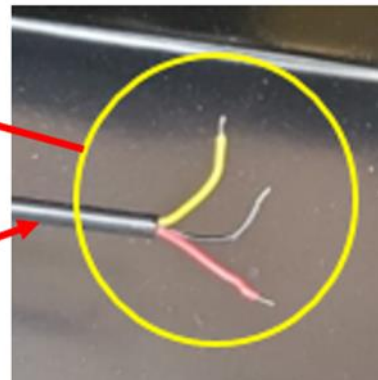


- Red: Park light
- Yellow: Indicator
- Brawn Helmet
- Black: Negative

Fog light
Bracket

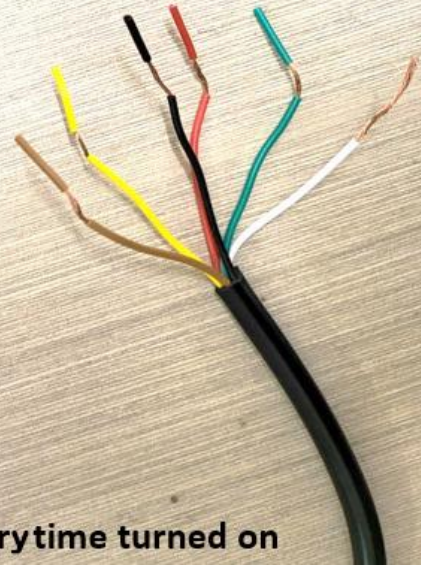
Fog light

DRL WIRE





1. White: Spot light
2. Green: Fog Light
3. Red: Park
4. Black : Ground
5. Yellow: Indicator
6. Brown: Helmet



Note: The helmet keeps changing colour everytime turned on

3. FITTING FOG LIGHTS

Use the supplied left and right brackets for fitting the fog lights
Make sure the Fog light to be centered and the ARMORMAN Writing faced up





ARMORMAN 4x4

1300 3075 43

Sales@armorman4x4.com.au
www.armorman4x4.com.au

LIGHTS

