



**ARMORMAN 4x4**

**1300 3075 43**

[Sales@armorman4x4.com.au](mailto:Sales@armorman4x4.com.au)  
[www.armorman4x4.com.au](http://www.armorman4x4.com.au)

## **BUSHMASTER BULL BAR FOR D40**

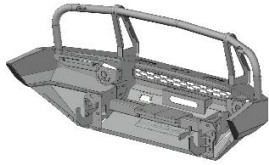


[Read the installation instructions carefully to avoid damaging the vehicle or the competitive bar!!!](#)

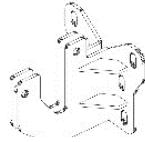


**(PLEASE CHECK THAT THE ACCESSORIES ARE COMPLETE)**

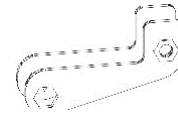
### COMPETITIVE BARS AND ACCESSORIES



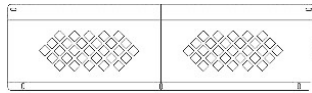
**1X ATHLETIC BAR**



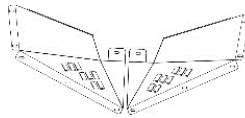
**2X BRACKET**



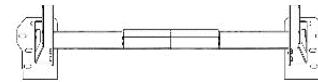
**2X NUT PLATE**



**1X LOWER GUARD**



**2X BIPLANE**



**1X WINCH**

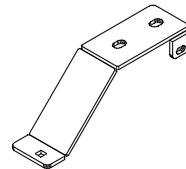
### LIGHTS AND OTHER ACCESSORIES



**2X LAMP CASE**



**2X HEADLIGHTS**



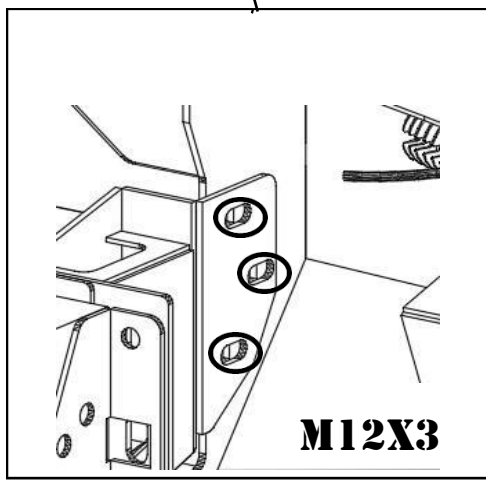
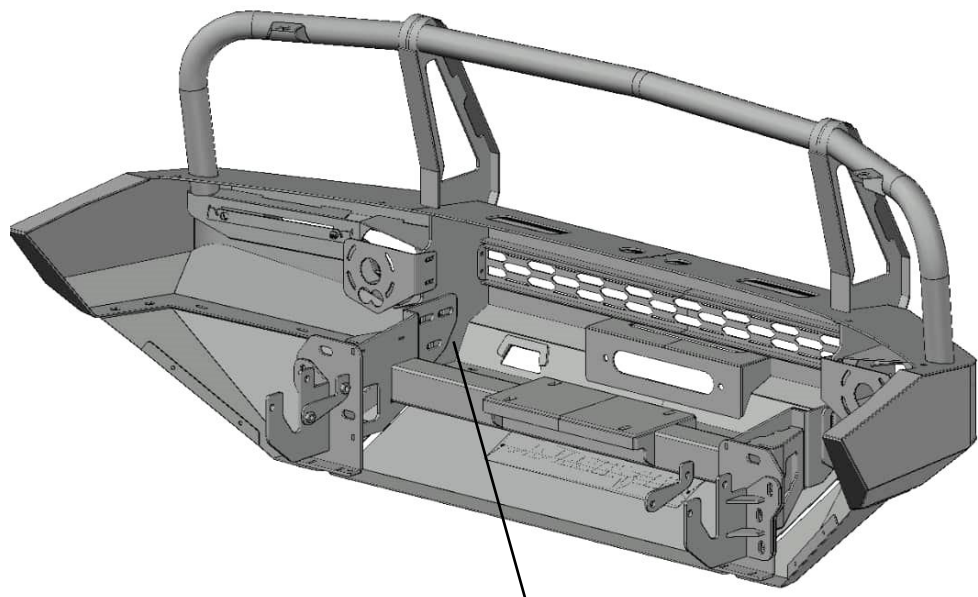
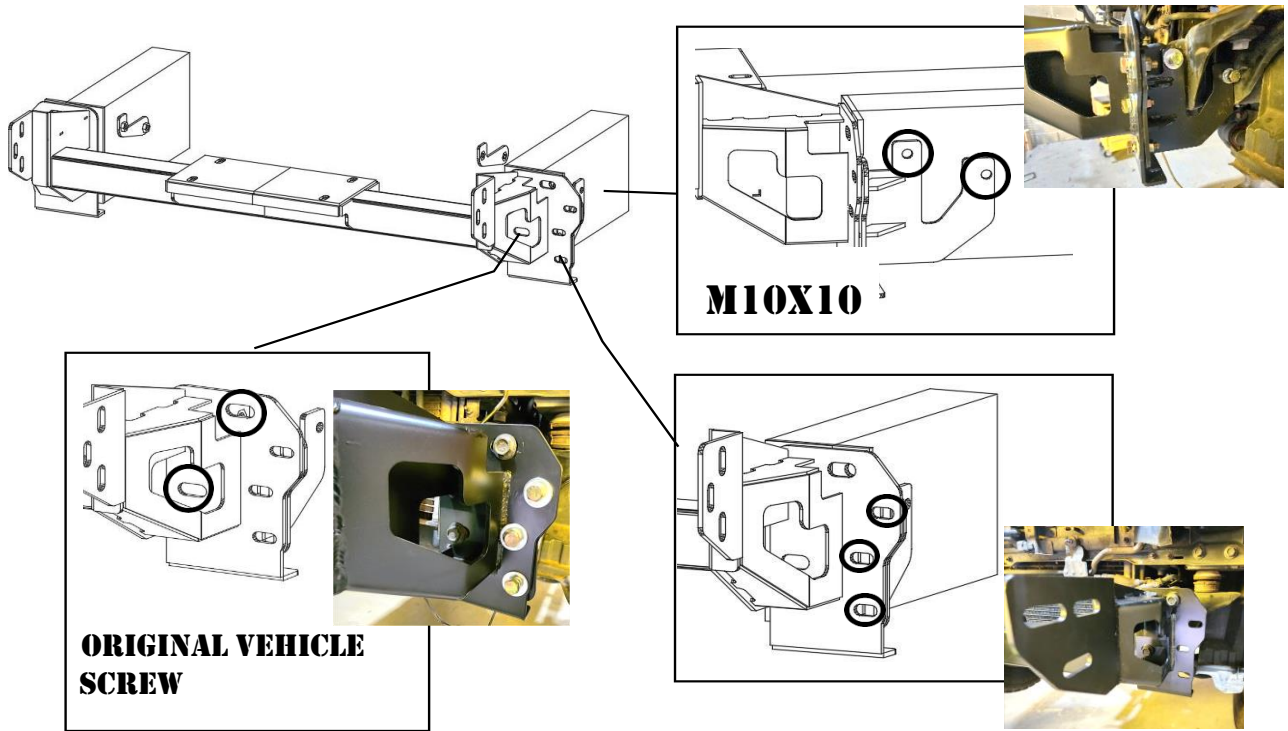
**1X FITTINGS**



**2X LED LAMP**



**2X LIGHT STAND**

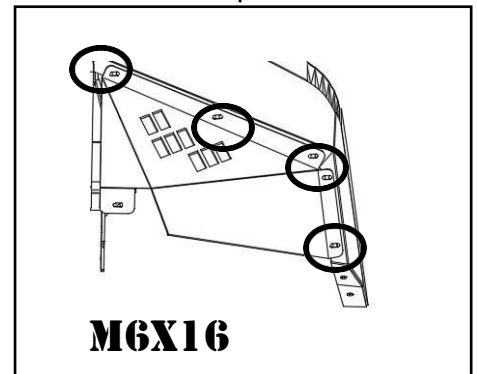
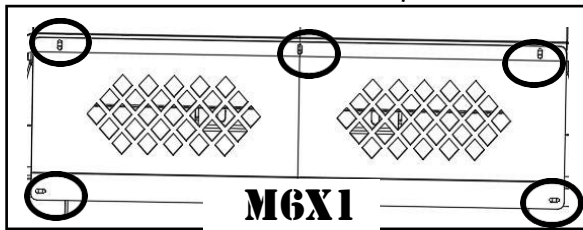
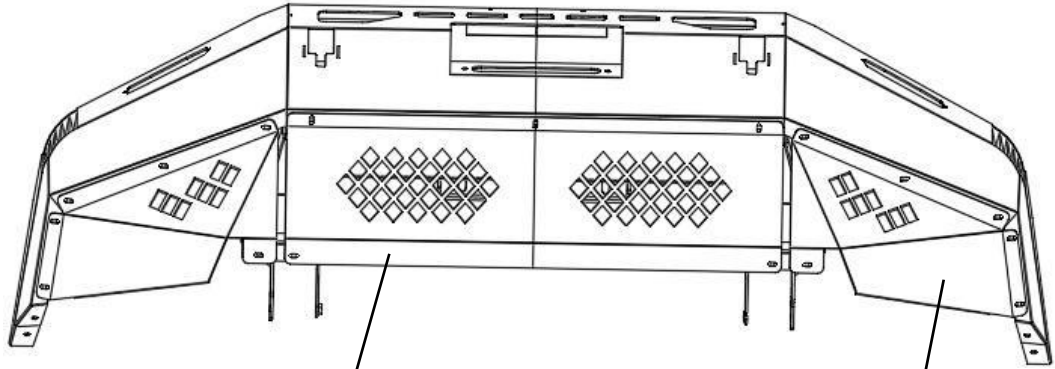




# ARMORMAN 4x4

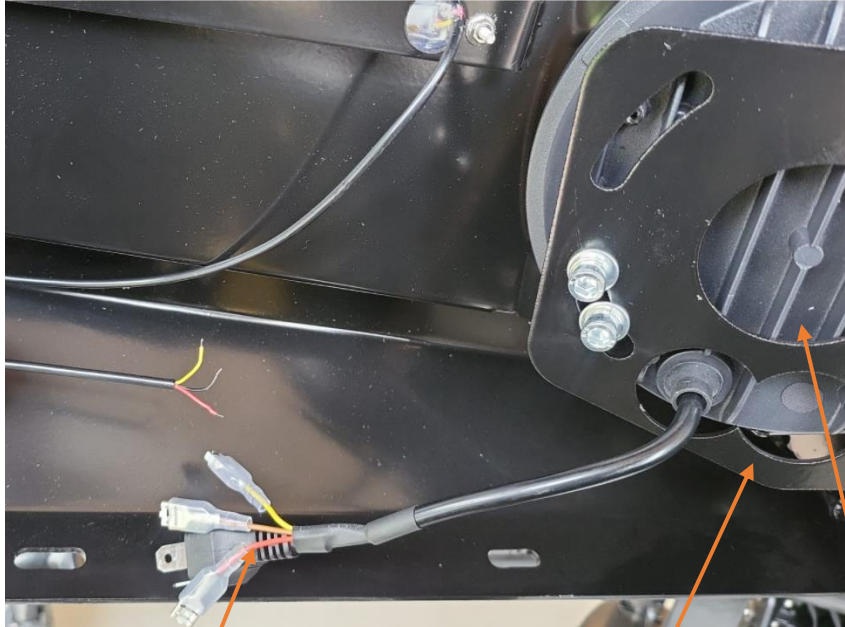
1300 3075 43

Sales@armorman4x4.com.au  
www.armorman4x4.com.au





## 2. DO THE WIRING BASED ON BELLOW WIRING DIAGRAM

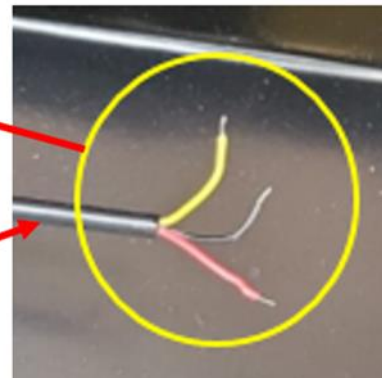


- Red: Park light
- Yellow: Indicator
- Brown: Helmet
- Black: Negative

Fog light  
Bracket

Fog light

DRL WIRE





1. White: Spot light
2. Green: Fog Light
3. Red: Park
4. Black : Ground
5. Yellow: Indicator
6. Brown: Helmet

Note: The helmet keeps changing colour everytime turned on

### 3. FITTING FOG LIGHTS

Use the supplied left and right brackets for fitting the fog lights  
Make sure the Fog light to be centered and the  
ARMORMAN  
Writing faced up





**ARMORMAN 4x4**

**1300 3075 43**

[Sales@armorman4x4.com.au](mailto:Sales@armorman4x4.com.au)  
[www.armorman4x4.com.au](http://www.armorman4x4.com.au)

## **LIGHTS**

