



**ARMORMAN 4x4**

**1300 3075 43**

Sales@armorman4x4.com.au  
www.armorman4x4.com.au

## **FITTING INSTRUCTION FOR BUSHMASTER BULL BAR FOR GU PATROL Y61**

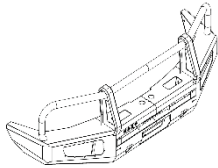


Read the installation instructions carefully to avoid damaging the vehicle or the competitive bar!!!

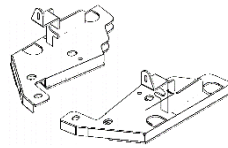


(Please check the accessories are complete)

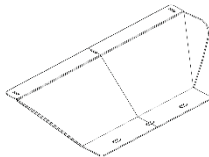
### BULL BARS & ACCESSORIES



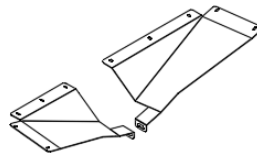
1x BULL BAR



2x BRACKET



1x BOTTOM GUARD PLATE



2x BOTH SIDE GUARD PLATE

### LIGHTS & OTHER ACCESSORIES



2x LAMP CASE



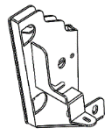
2x HEADLIGHTS



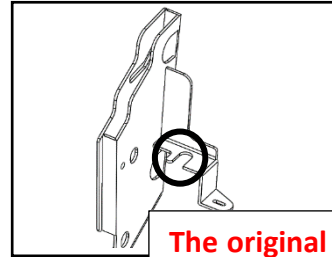
2x LIGHT STAND



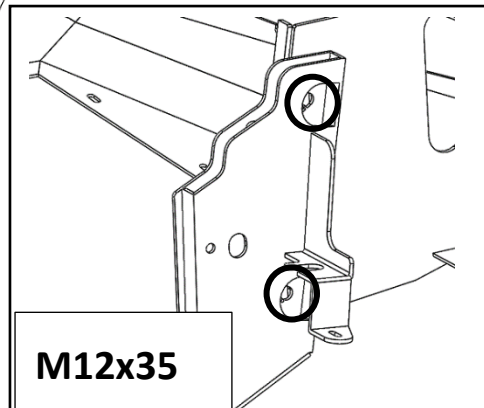
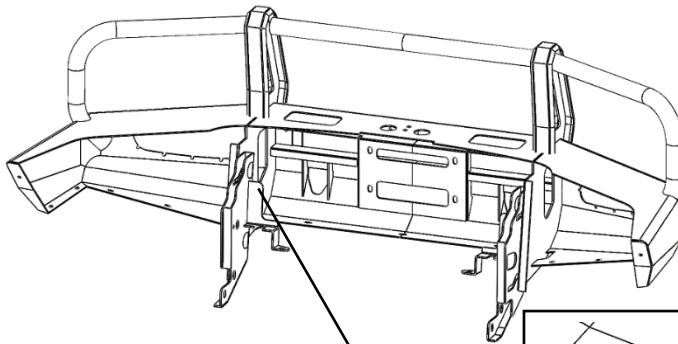
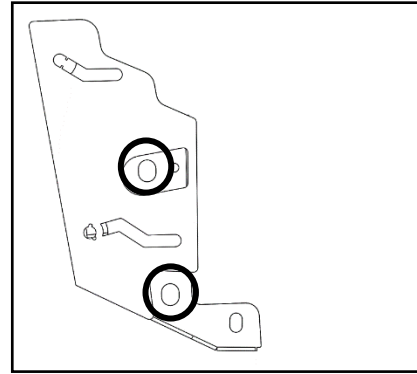
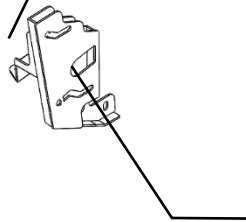
2x LED LAMP



Place the bracket in the proper position of the original car girder.



The original car screws are connected.



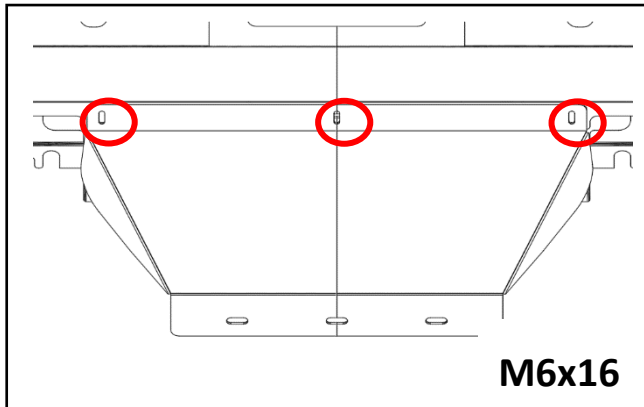
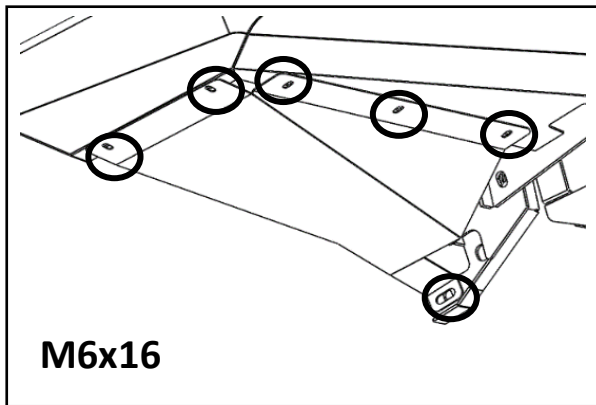
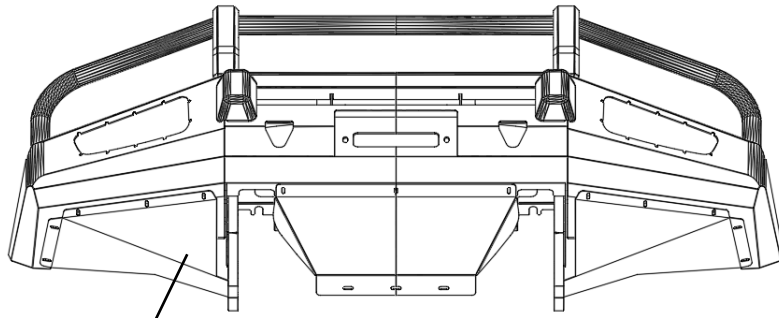
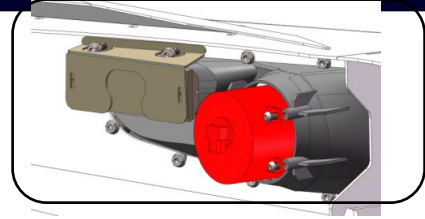
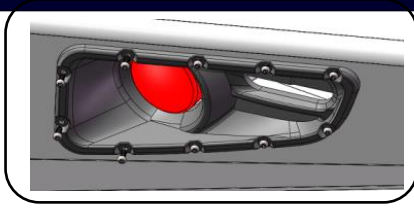
M12x35



# ARMORMAN 4x4

1300 3075 43

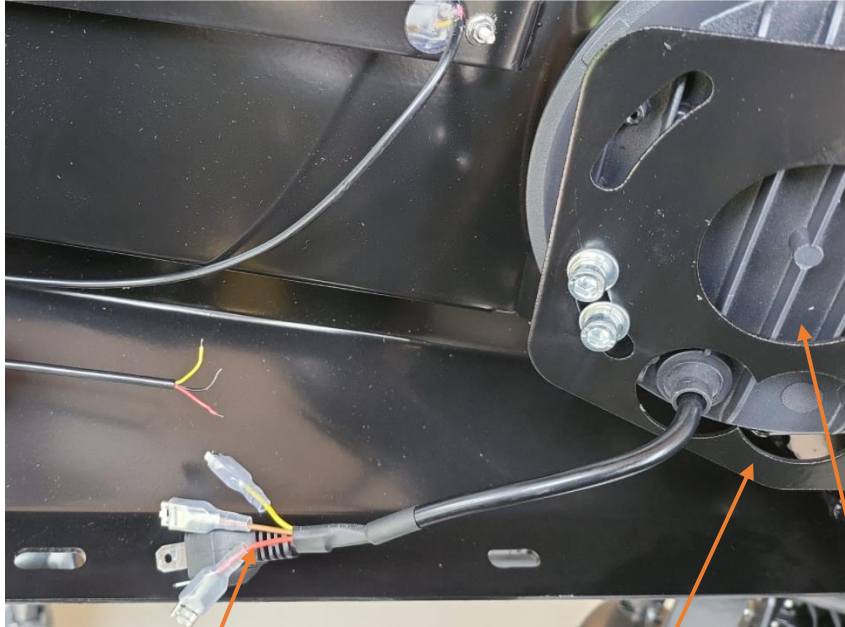
Sales@armorman4x4.com.au  
www.armorman4x4.com.au





## 2. DO THE WIRING BASED ON BELLOW

### WIRING DIAGRAM

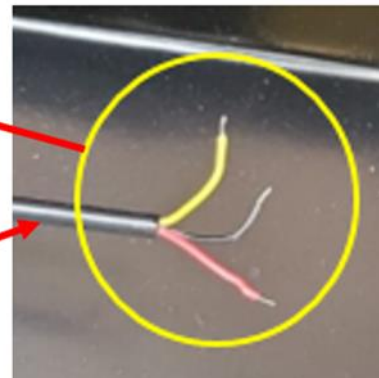


- Red: Park light
- Yellow: Indicator
- Brown: Helmet
- Black: Negative

Fog light  
Bracket

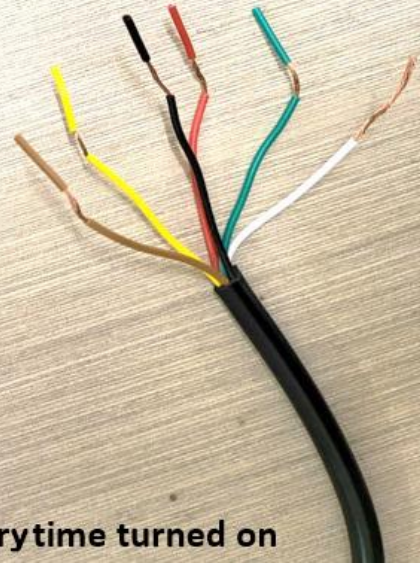
Fog light

DRL WIRE





1. White: Spot light
2. Green: Fog Light
3. Red: Park
4. Black : Ground
5. Yellow: Indicator
6. Brown: Helmet



**Note: The helmet keeps changing colour everytime turned on**

### 3. FITTING FOG LIGHTS

Use the supplied left and right brackets for fitting the fog lights  
Make sure the Fog light to be centered and the  
ARMORMAN  
Writing faced up





**ARMORMAN 4x4**

**1300 3075 43**

Sales@armorman4x4.com.au  
www.armorman4x4.com.au

**LIGHTS**

