



**ARMORMAN 4x4**

**1300 3075 43**

[Sales@armorman4x4.com.au](mailto:Sales@armorman4x4.com.au)  
[www.armorman4x4.com.au](http://www.armorman4x4.com.au)

## **BUSHMASTER BULL BAR FOR GWM**

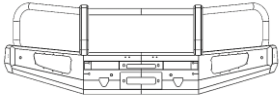


Read the installation instructions carefully to avoid damaging the vehicle or  
the competitive bar!!!

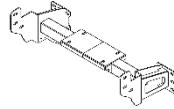


(Please check that the accessories are complete)

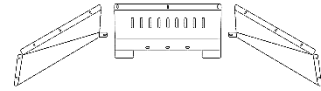
### COMPETITIVE BARS & ACCESSORIES:



1x ATHLETIC BAR

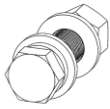


1x WINCH BRACKET



2x BRACKET

### LIST OF SCREWS:



6xM12x35



35xM6x16



8xM6x16



4xM8 ANTI LOOSEN NUT

### LIGHTS & OTHER ACCESSORIES:



2x LAMP CASE



2x HEADLIGHTS



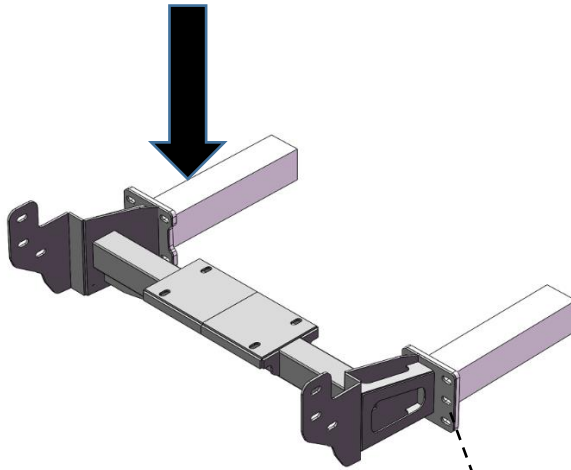
2x LED LIGHTS



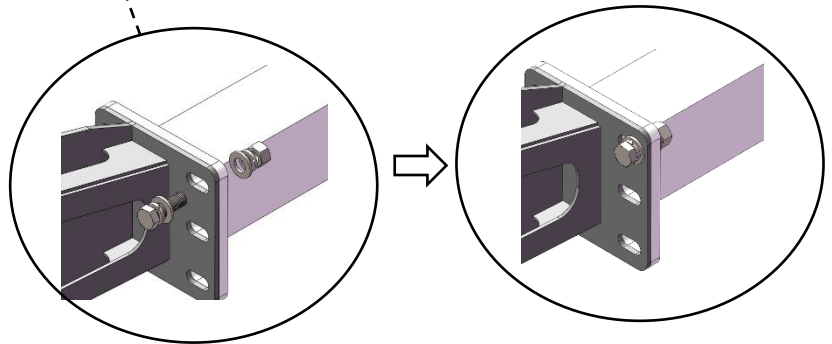
2x LIGHT STAND



## ORIGINAL CAR GIRDER



The original car is bolted.

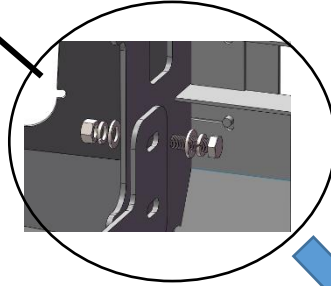
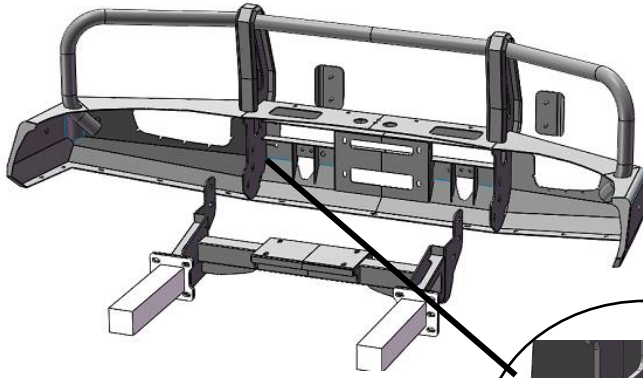




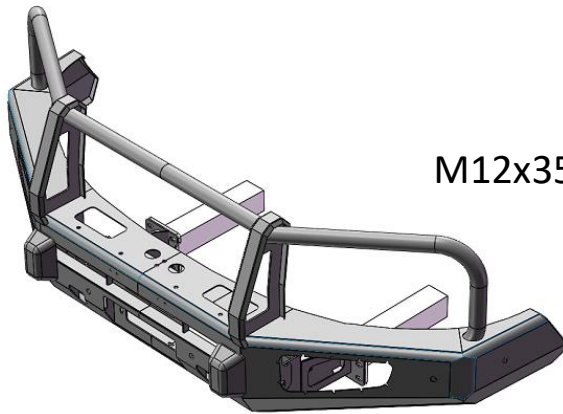
# ARMORMAN 4x4

1300 3075 43

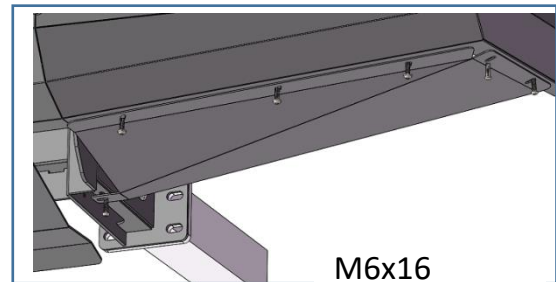
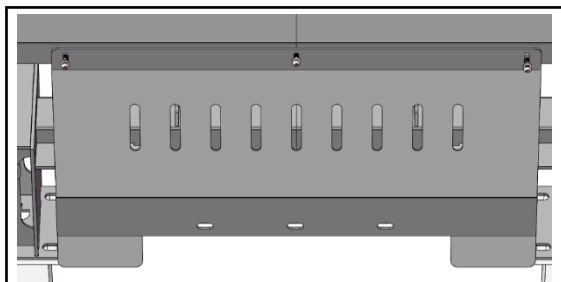
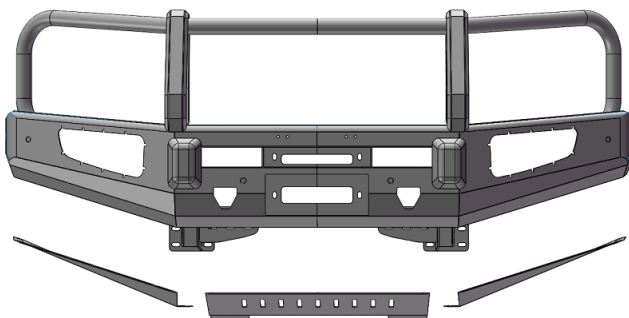
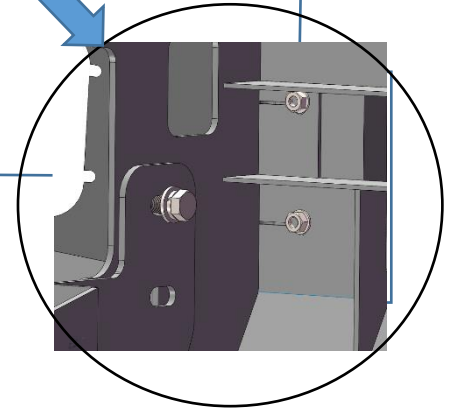
Sales@armorman4x4.com.au  
www.armorman4x4.com.au



M8 anti-loosen nut.



M12x35

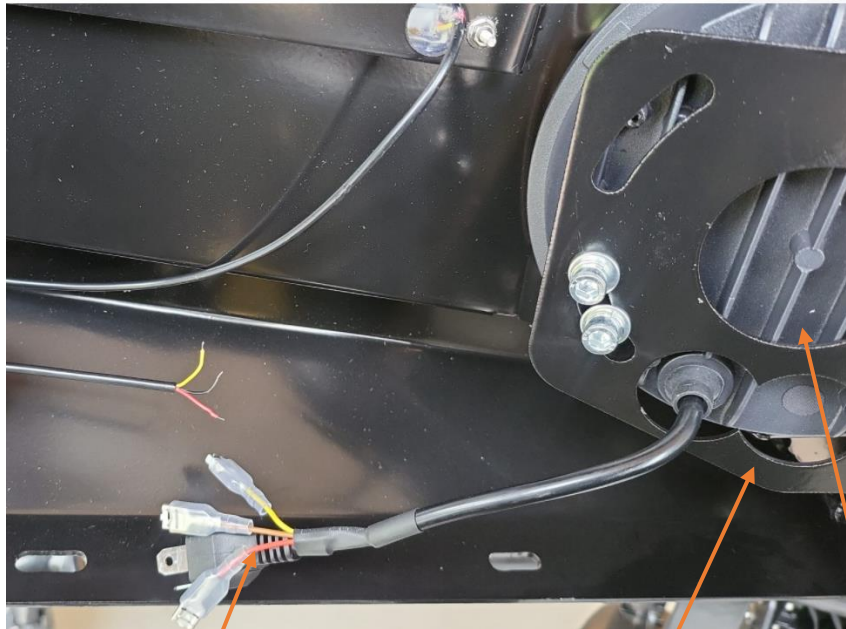


M6x16





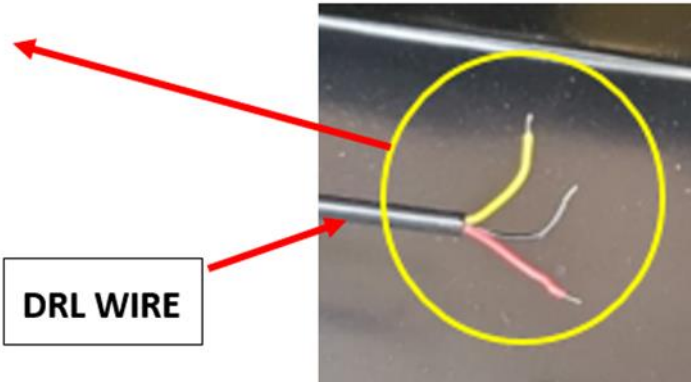
## 2. DO THE WIRING BASED ON BELLOW WIRING DIAGRAM



- Red: Park light
- Yellow: Indicator
- Brown: Helmet
- Black: Negative

Fog light Bracket

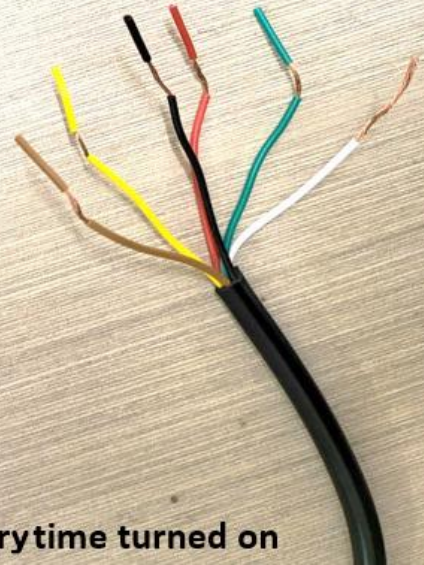
Fog light



DRL WIRE



1. White: Spot light
2. Green: Fog Light
3. Red: Park
4. Black : Ground
5. Yellow: Indicator
6. Brown: Helmet



**Note: The helmet keeps changing colour everytime turned on**

### 3. FITTING FOG LIGHTS

Use the supplied left and right brackets for fitting the fog lights

Make sure the Fog light to be centered and the ARMORMAN

Writing faced up





**ARMORMAN 4x4**

**1300 3075 43**

[Sales@armorman4x4.com.au](mailto:Sales@armorman4x4.com.au)  
[www.armorman4x4.com.au](http://www.armorman4x4.com.au)

## LIGHTS

