



ARMORMAN 4x4

1300 3075 43

Sales@armorman4x4.com.au
www.armorman4x4.com.au

BUSHMASTER BULL BAR FOR TOYOTA PRADO LC 200

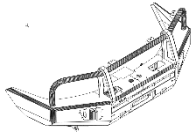


Read the installation instructions carefully to avoid damaging the vehicle or the competitive bar!!!

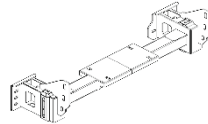


(PLEASE CHECK THAT THE ACCESSORIES ARE COMPLETE)

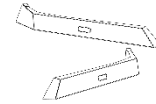
COMPETITIVE BARS AND ACCESSORIES:



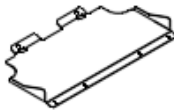
1X ATHLETIC BAR



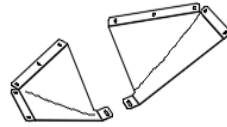
1X WINCH BRACKET



2X ENCLOSURE

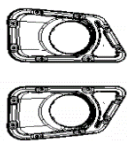


1X LOWER GUARD



2X BIPLANE GUARD

LIGHTS AND OTHER ACCESSORIES:



2X LAMP CASE



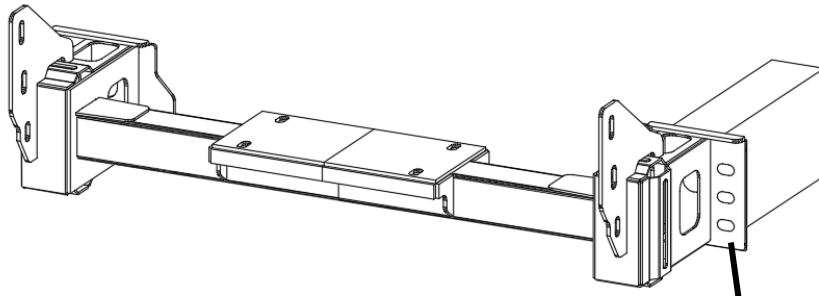
2X HEADLIGHTS



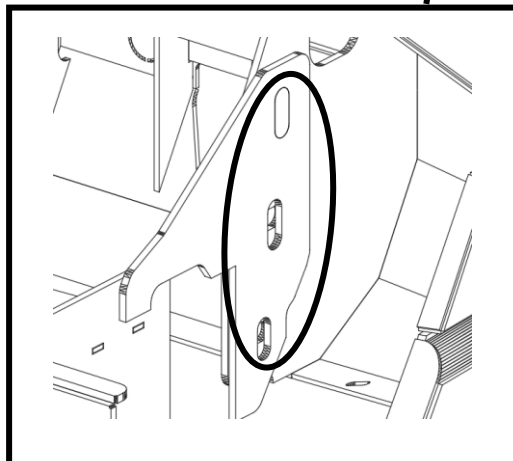
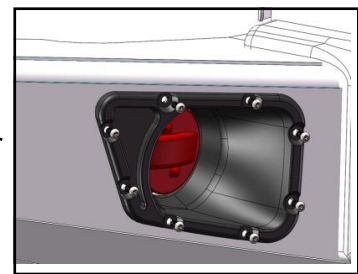
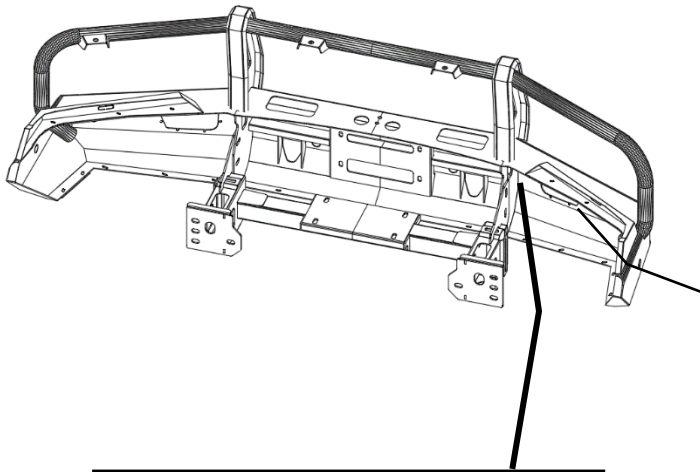
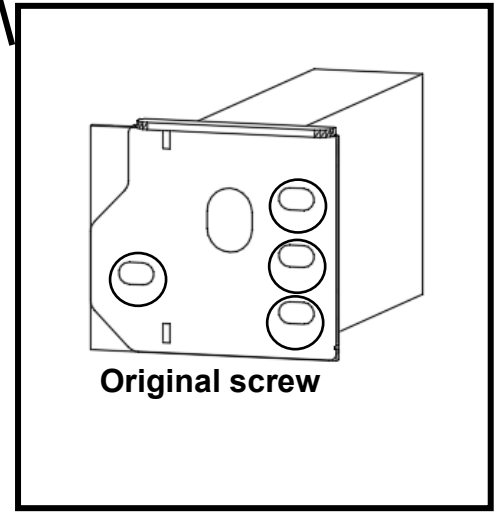
ARMORMAN 4x4

1300 3075 43

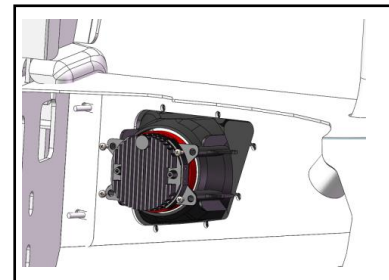
Sales@armorman4x4.com.au
www.armorman4x4.com.au



a



M12X35

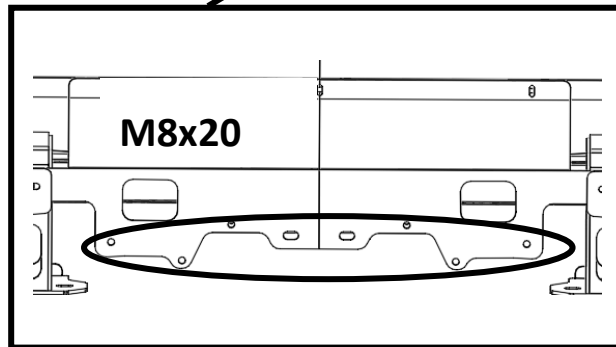
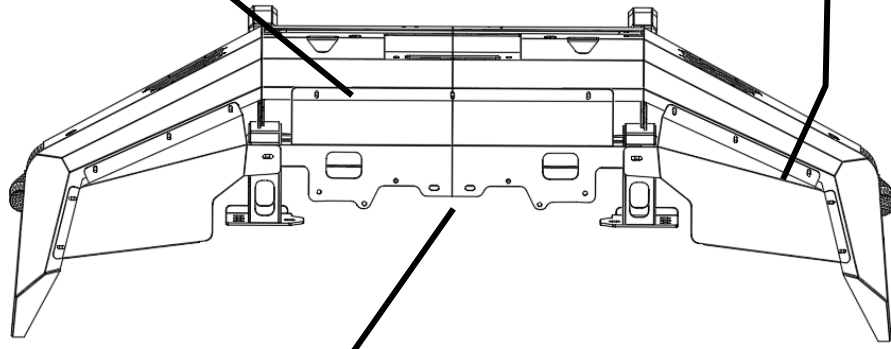
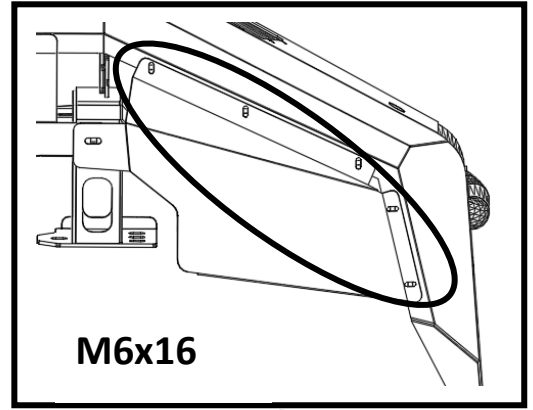
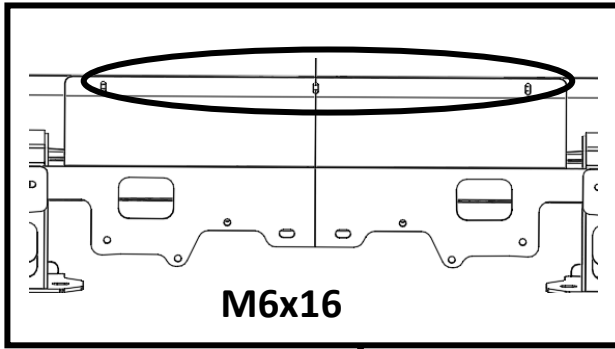




ARMORMAN 4x4

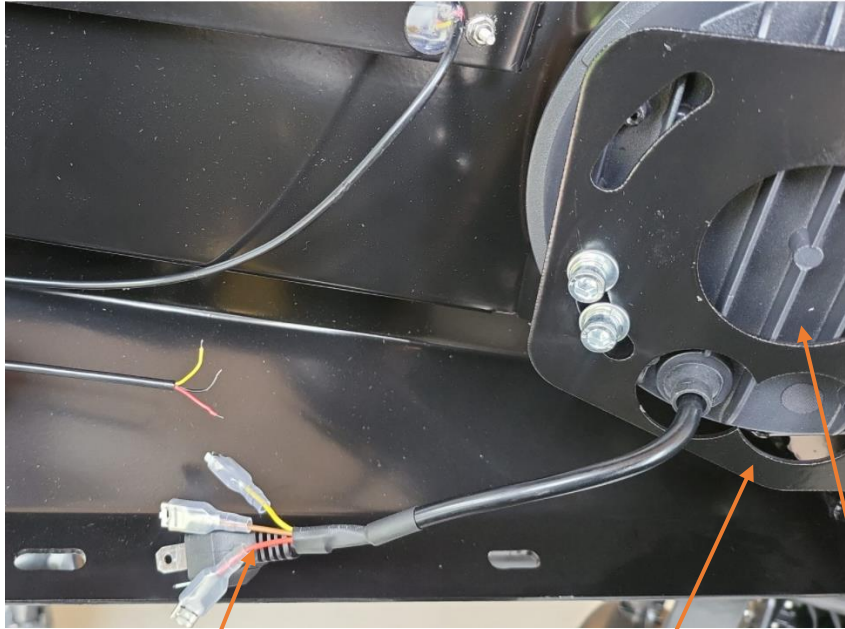
1300 3075 43

Sales@armorman4x4.com.au
www.armorman4x4.com.au





2. DO THE WIRING BASED ON BELLOW WIRING DIAGRAM

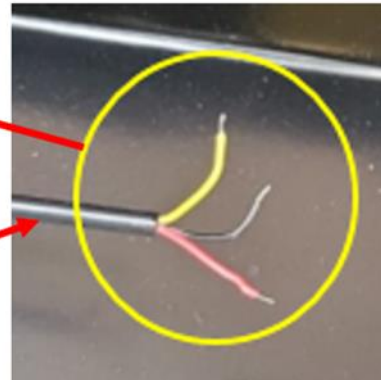


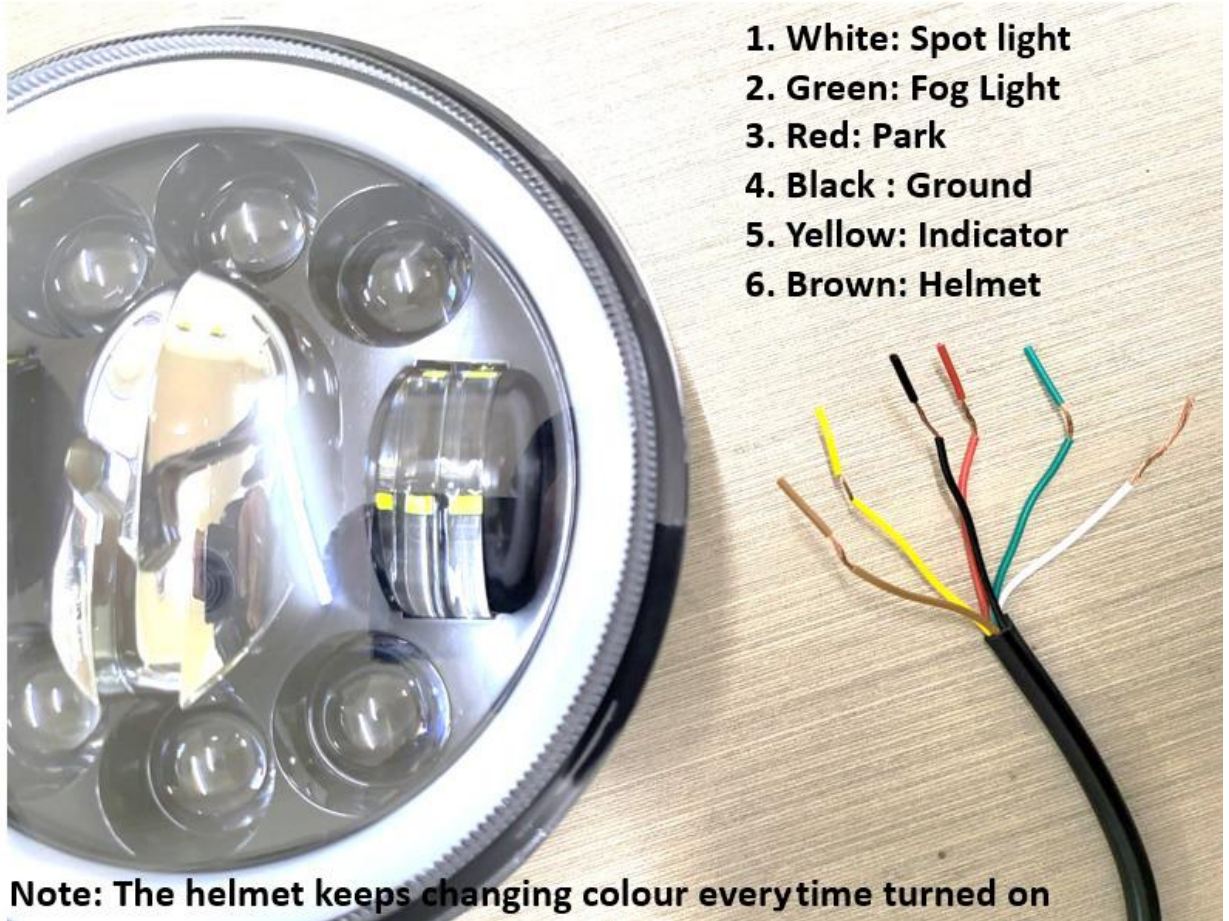
- Red: Park light
- Yellow: Indicator
- Brown Helmet
- Black: Negative

Fog light Bracket

Fog light

DRL WIRE





3. FITTING FOG LIGHTS

Use the supplied left and right brackets for fitting the fog lights
Make sure the Fog light to be centered and the ARMORMAN Writing faced up





ARMORMAN 4x4

1300 3075 43

Sales@armorman4x4.com.au
www.armorman4x4.com.au

LIGHTS

