



# ARMORMAN 4x4

1300 3075 43

Sales@armorman4x4.com.au  
www.armorman4x4.com.au

## BUSHMASTER BULL BAR FOR LC 79



[Read the installation instructions carefully to avoid damaging the vehicle or the competitive bar !!!](#)

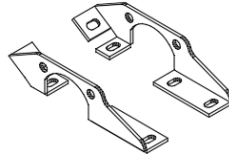


**(PLEASE CHECK THAT THE ACCESSORIES ARE COMPLETE)**

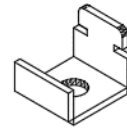
## COMPETITIVE BARS AND ACCESSORIES



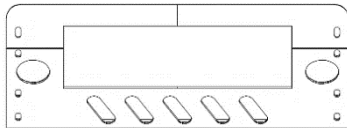
**1X ATHLETIC BAR**



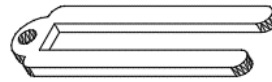
**2X BRACKET**



**2X U-SHAPED PADS**



**1X LOWER GUARD**



**2X PAD BLOCKS**

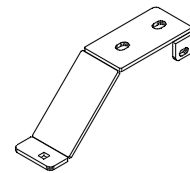
## LIGHTS AND OTHER ACCESSORIES



**2X LAMP CASE**



**2X HEADLIGHTS**



**1X FITTINGS**



**2X LED LAMP**



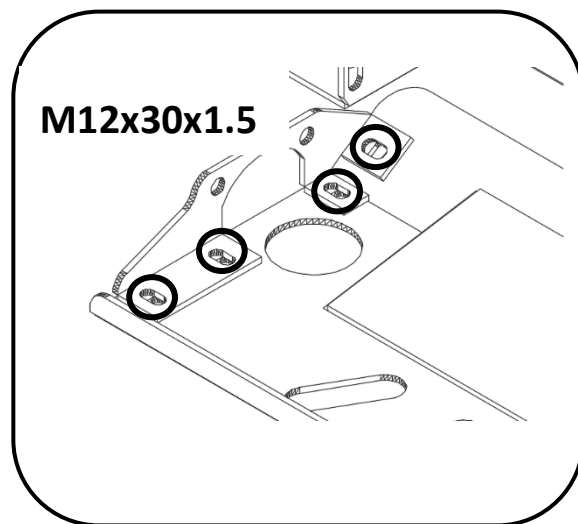
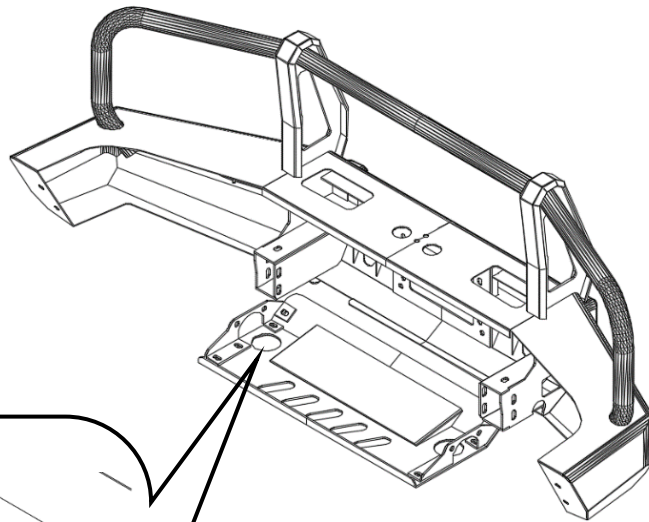
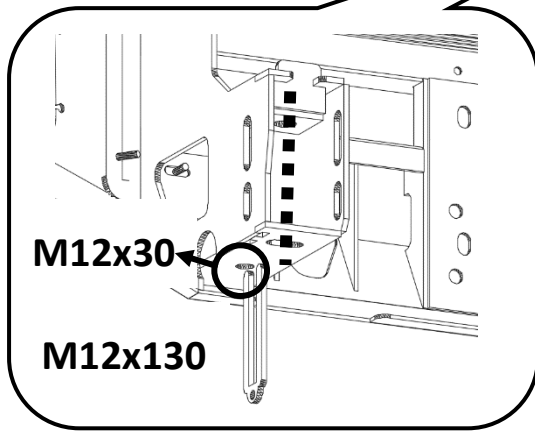
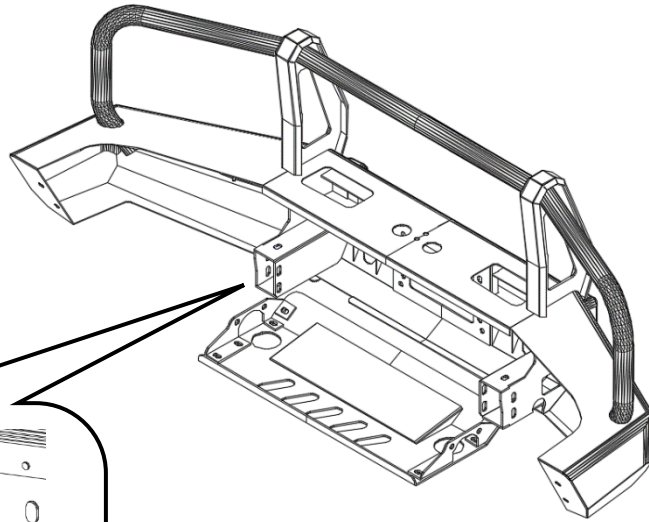
**2X LIGHT STAND**



# ARMORMAN 4x4

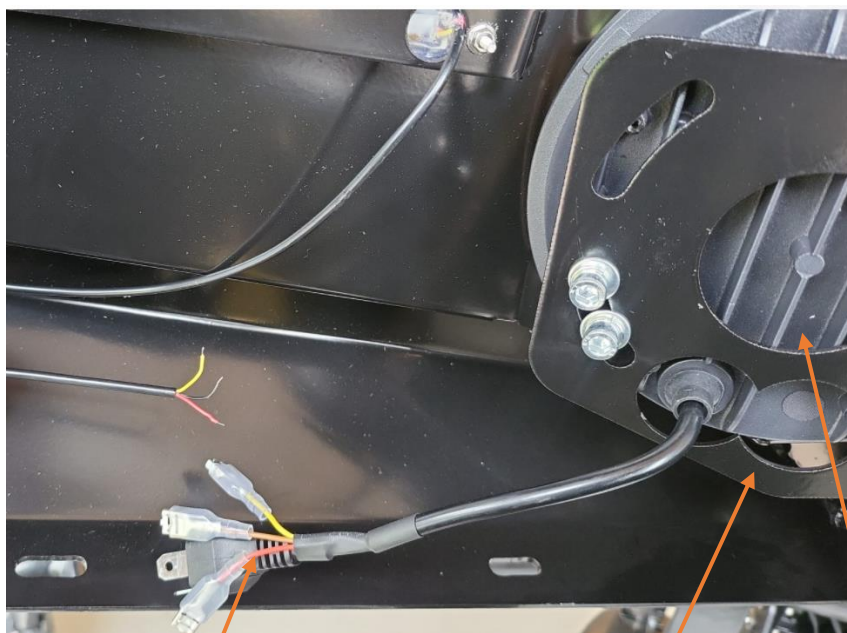
1300 3075 43

Sales@armorman4x4.com.au  
www.armorman4x4.com.au





## 2. DO THE WIRING BASED ON BELLOW WIRING DIAGRAM

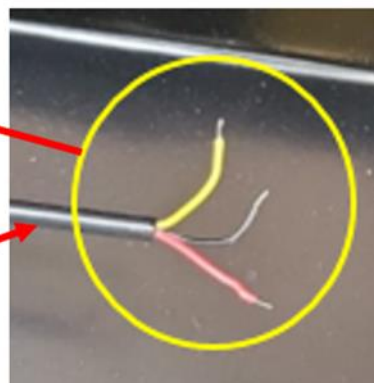


- Red: Park light
- Yellow: Indicator
- Brawn Helmet
- Black: Negative

Fog light Bracket

Fog light

DRL WIRE







### 3. FITTING FOG LIGHTS

Use the supplied left and right brackets for fitting the fog lights

Make sure the Fog light to be centered and the ARMORMAN

Writing faced up





**ARMORMAN 4x4**

**1300 3075 43**

[Sales@armorman4x4.com.au](mailto:Sales@armorman4x4.com.au)  
[www.armorman4x4.com.au](http://www.armorman4x4.com.au)

## **LIGHTS**

